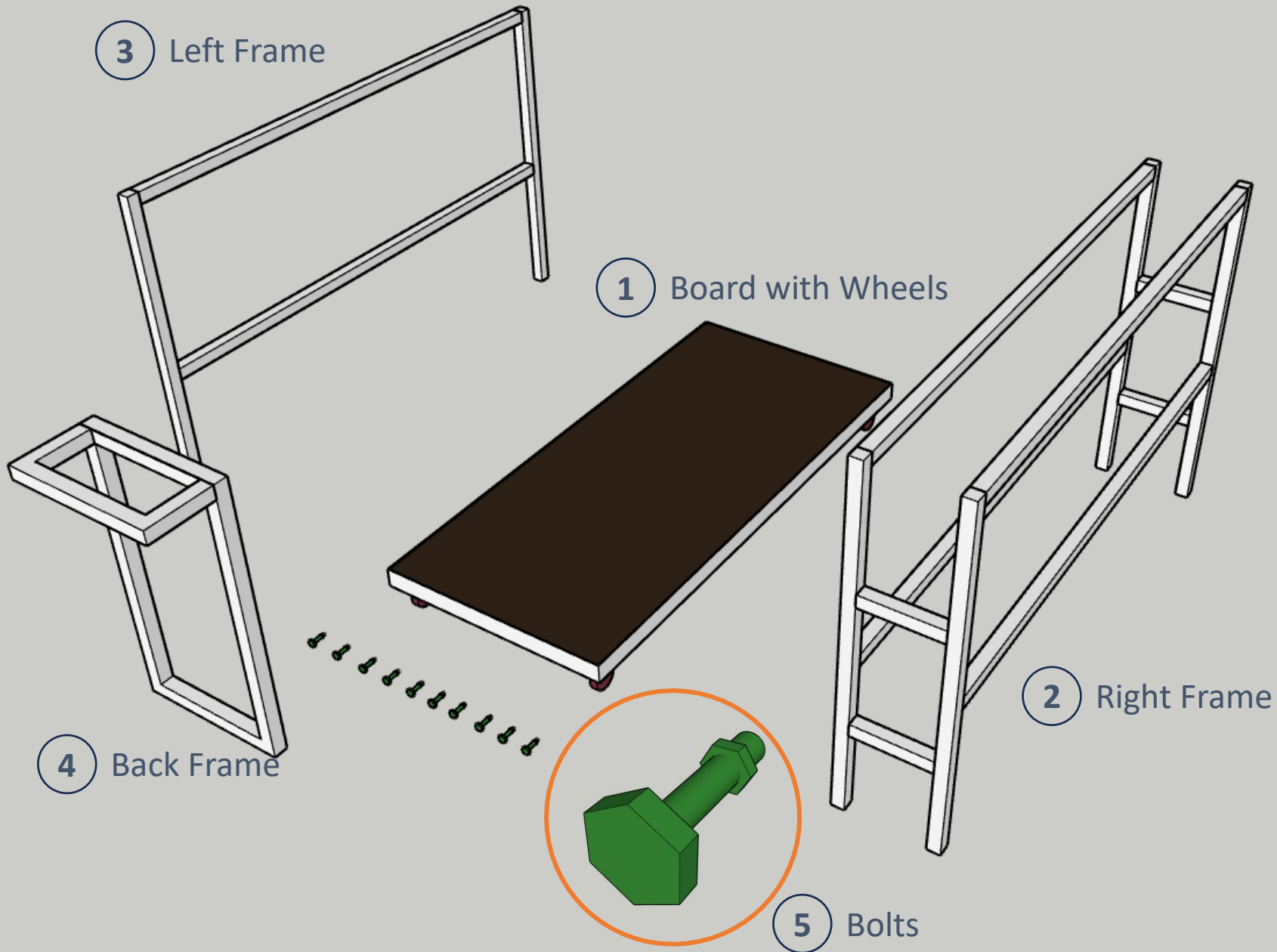




Assembly Instruction



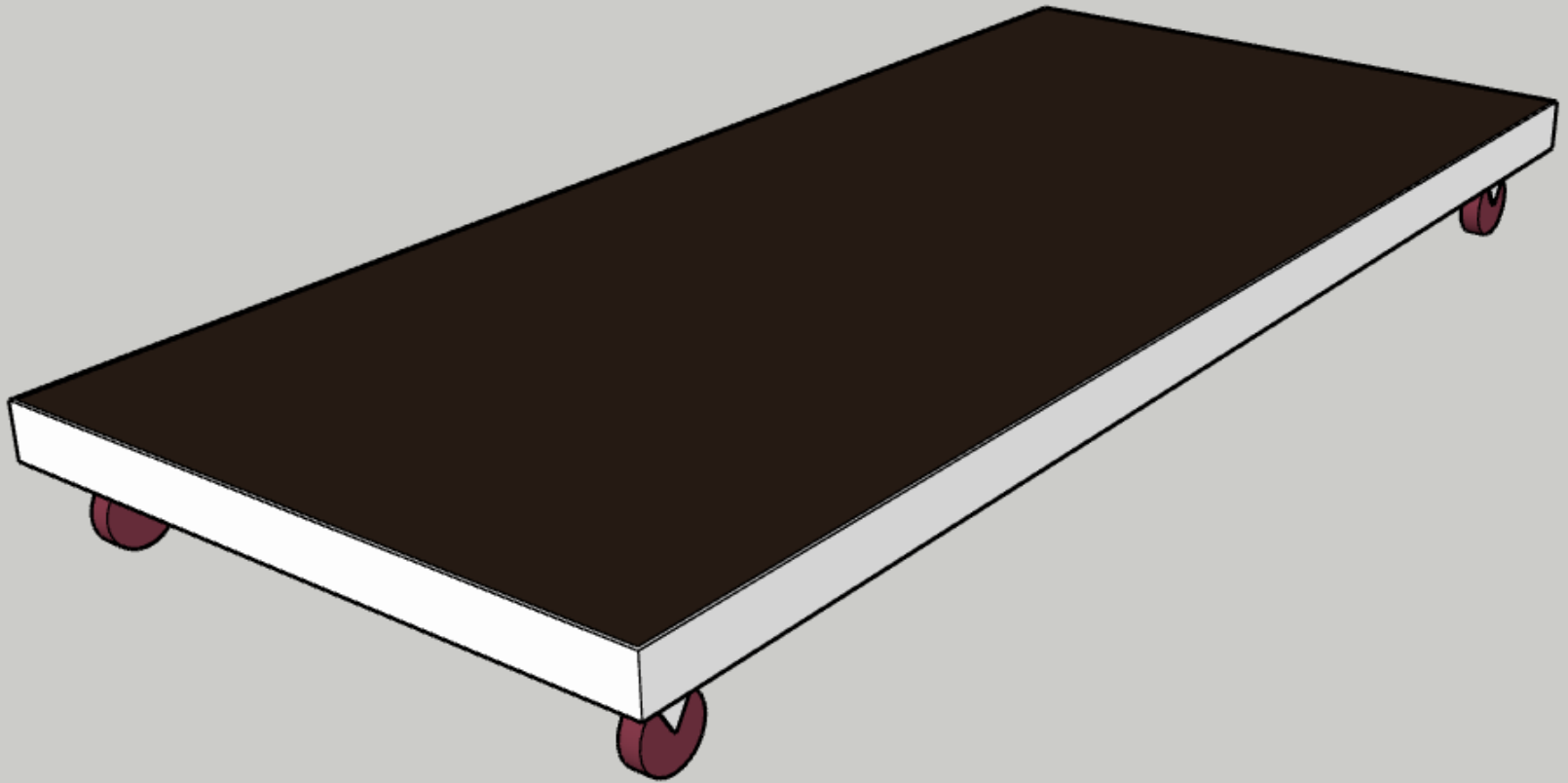
3 Left Frame

1 Board with Wheels

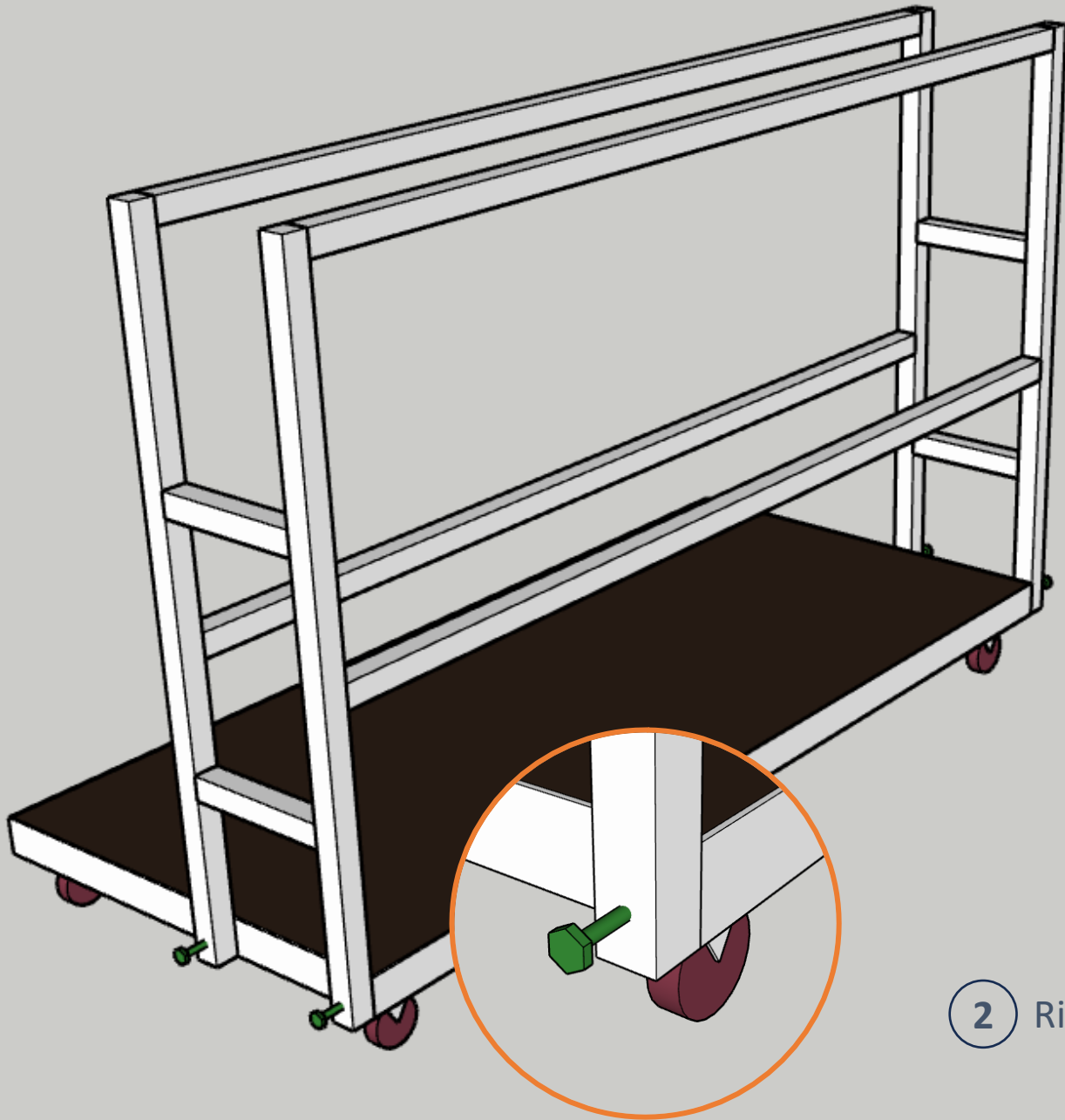
2 Right Frame

4 Back Frame

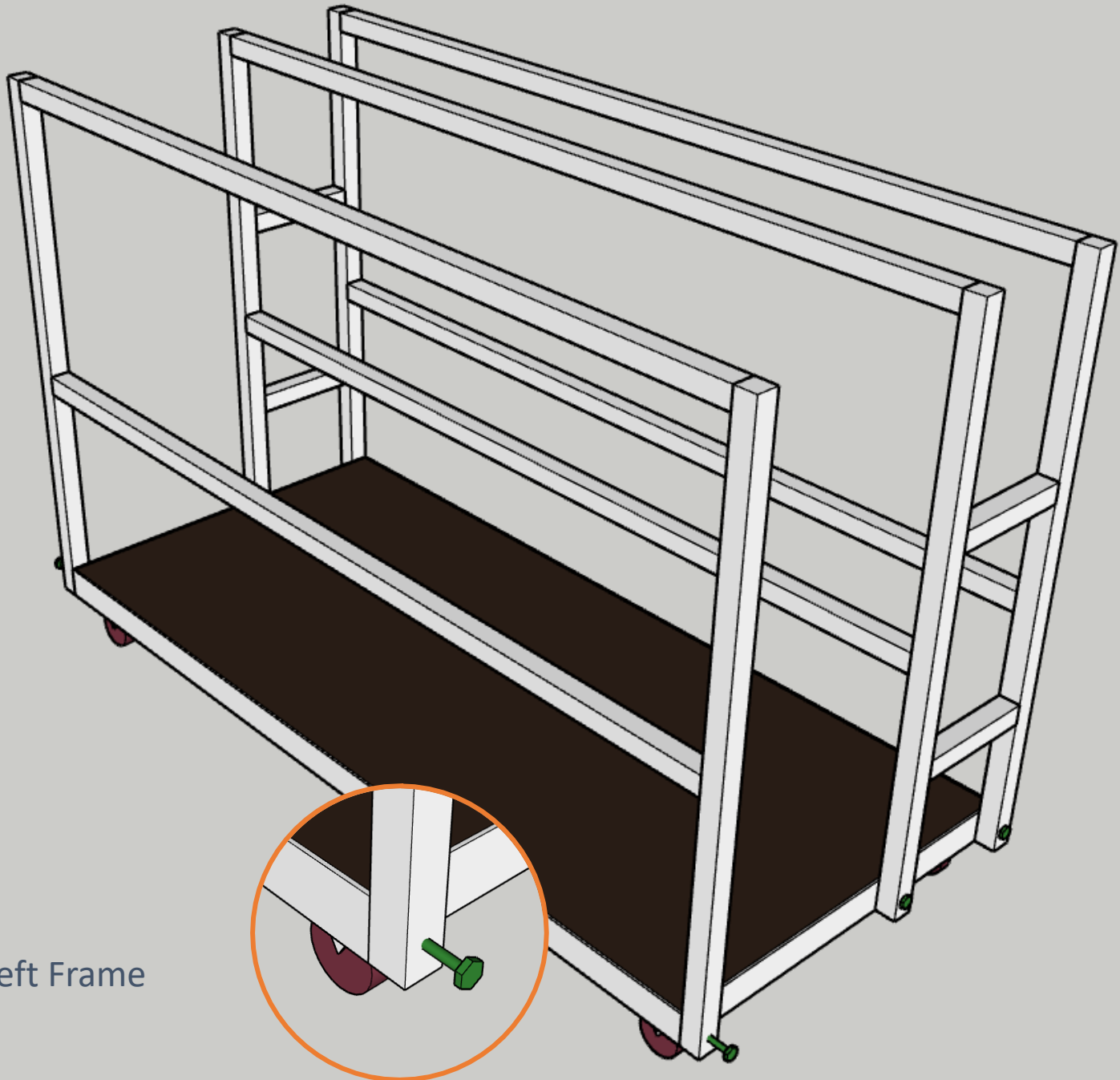
5 Bolts



1 Board with Wheels

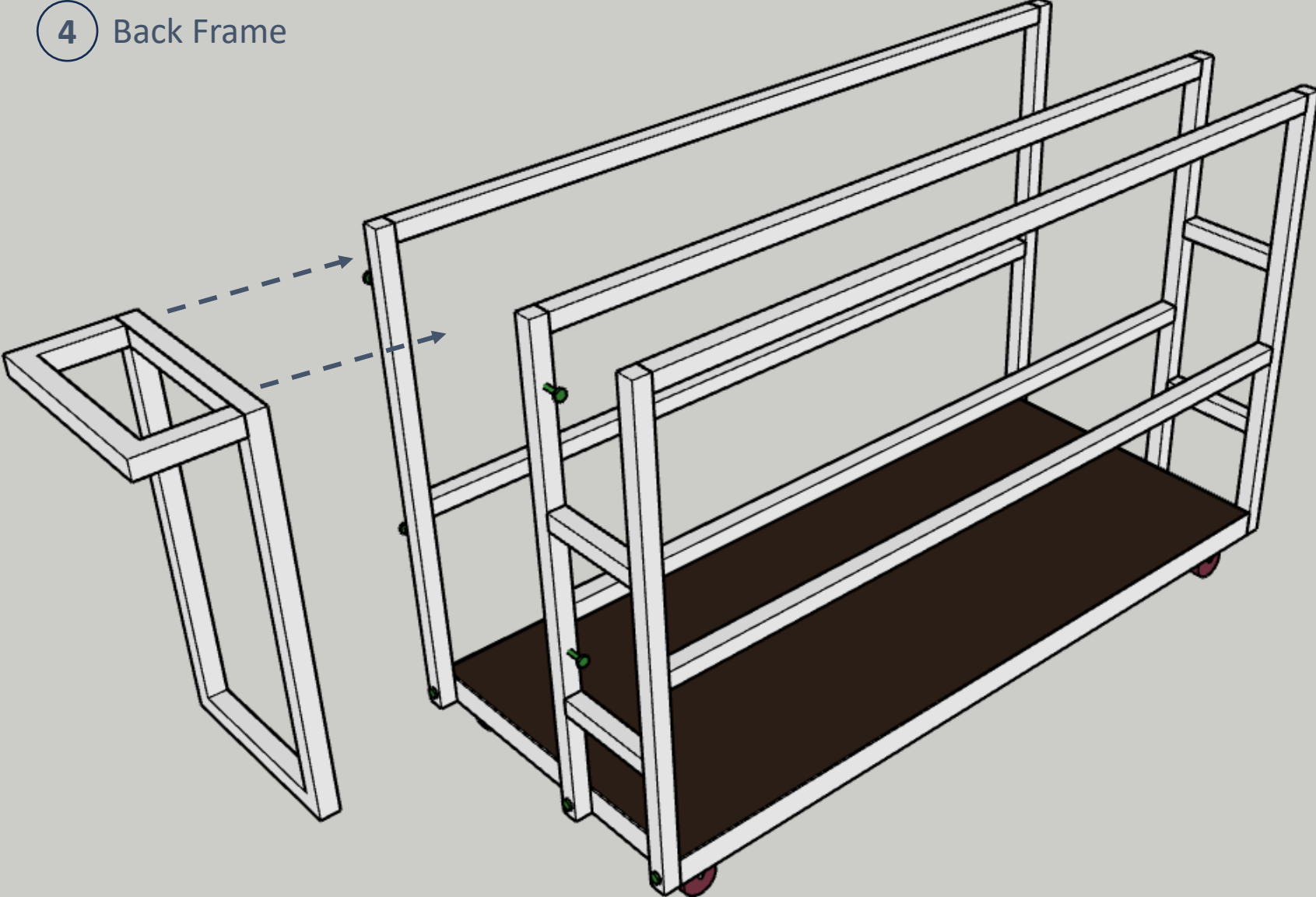


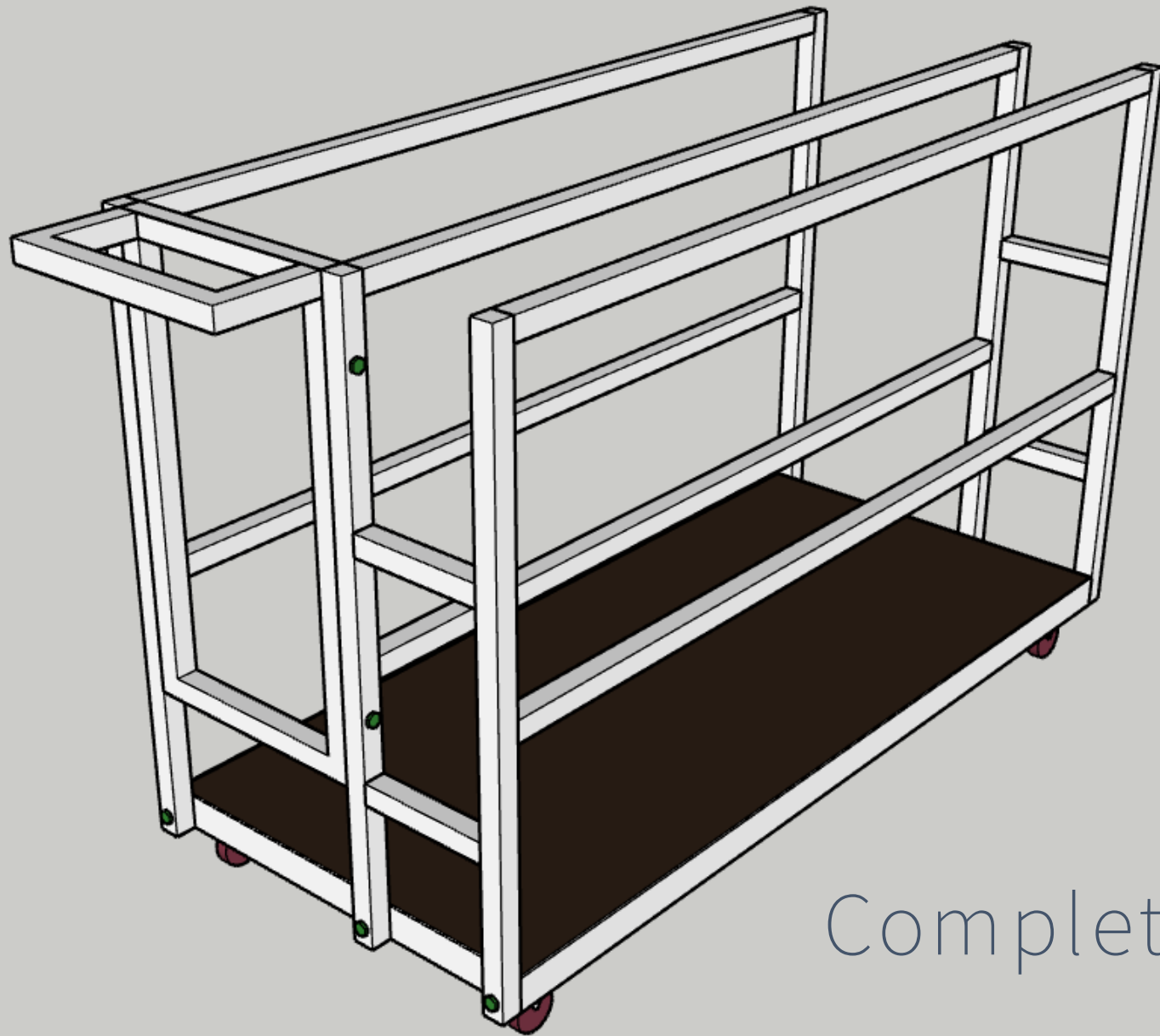
2 Right Frame



3 Left Frame

4 Back Frame





Completed!



