

Hexadome L Installation

Version 3.2



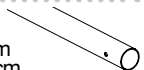
BOX CONTENTS

Hexadome Large

1x CS-0551
Sub frame center



6x CS-0539
Sub frame beam
ø90 mm - 149 cm



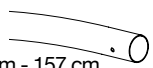
6x CS-0558
Sub frame connector



6x CS-0559
Locking strip



18x CS-0540
Upper main profile
ø125 mm - 157 cm



6x CS-0541
Upper X-connector



6x CS-0542
Lower X-connector



6x CS-0543
T-Connector Upper Left
Has 2 eyes for the cables



6x CS-0545
T-Connector Upper Right
Has 2 eyes for the cables



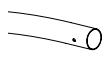
6x CS-0544
T-Connector Lower Left
Has 1 eye for a cable



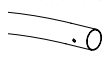
6x CS-0546
T-Connector Lower Right
Has 1 eye for a cable



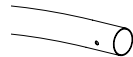
6x CS-0538
Lower (short)
sub profile ø90 mm - 130 cm



6x CS-0537
Upper (long)
sub profile ø90 mm - 233 cm



36x CS-0536
Lower Main profile
ø125 mm - 277 cm



40x CS-0093
Locking pin (medium)
ø90 mm profile



140x CS-9039
Locking pin (large)
ø125 mm profile



190x CS-0248
Securing ring



6x CS-0560
Foot connector
Left



6x CS-0561
Foot connector
Right



6x CS-0593
Anchor slide



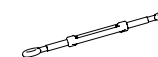
6x CS-0562
Anchor support



6x CS-0590
Ratchet plate



12x CS-9058
Turn buckle



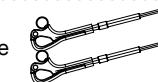
24x CS-9059
Carabiner



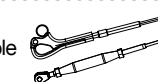
12x CS-0547
Upper cable



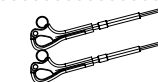
12x CS-0548
Center cable



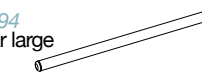
12x CS-0549
Tension cable



6x CS-0235
Positioning cable



6x CS-0594
Pull bar large



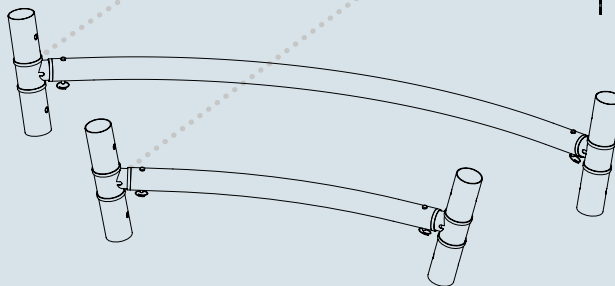
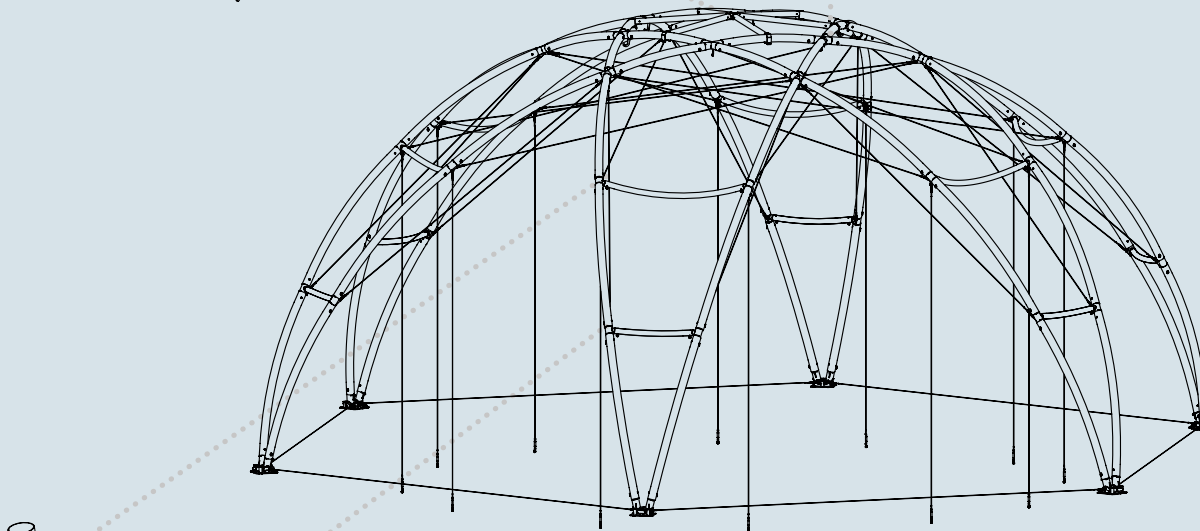
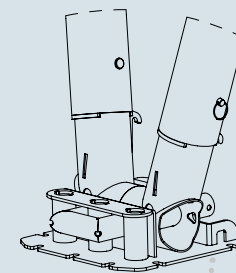
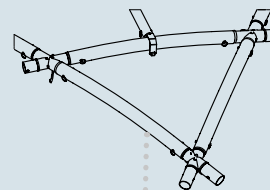
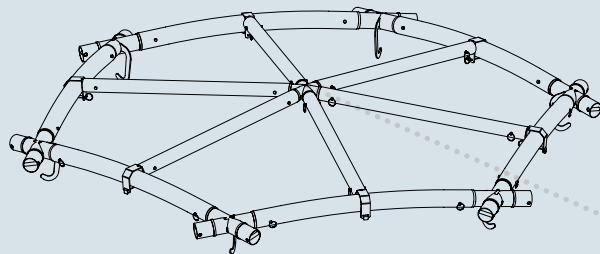
1x CS-0614
Transport rack & 2x box



3x CS-9041
Rope 33 m.

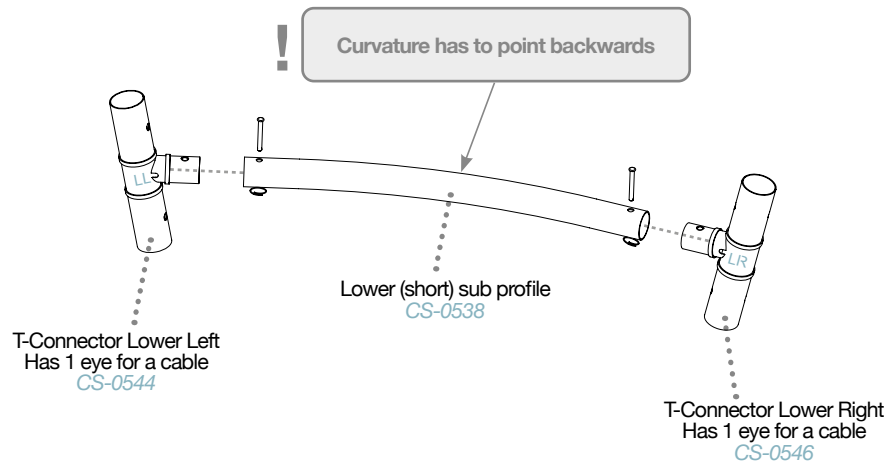


L



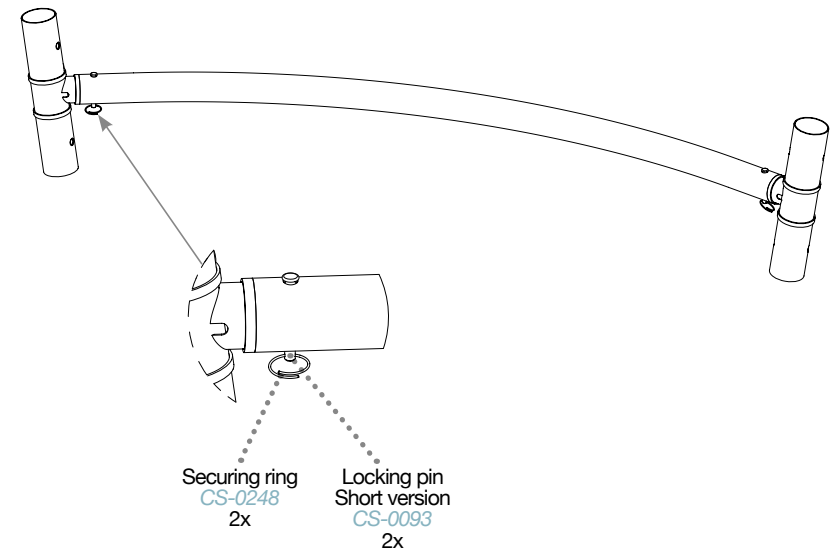
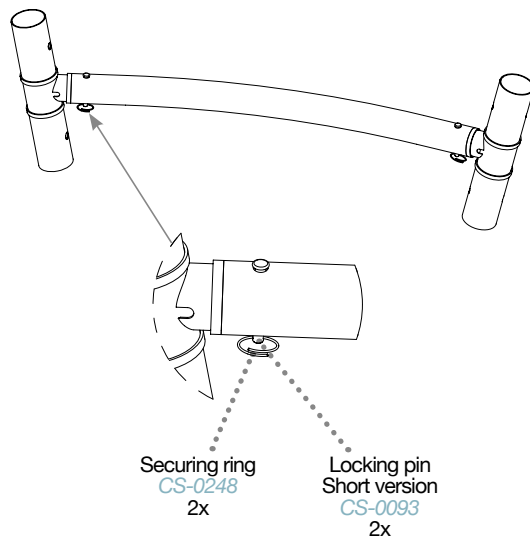
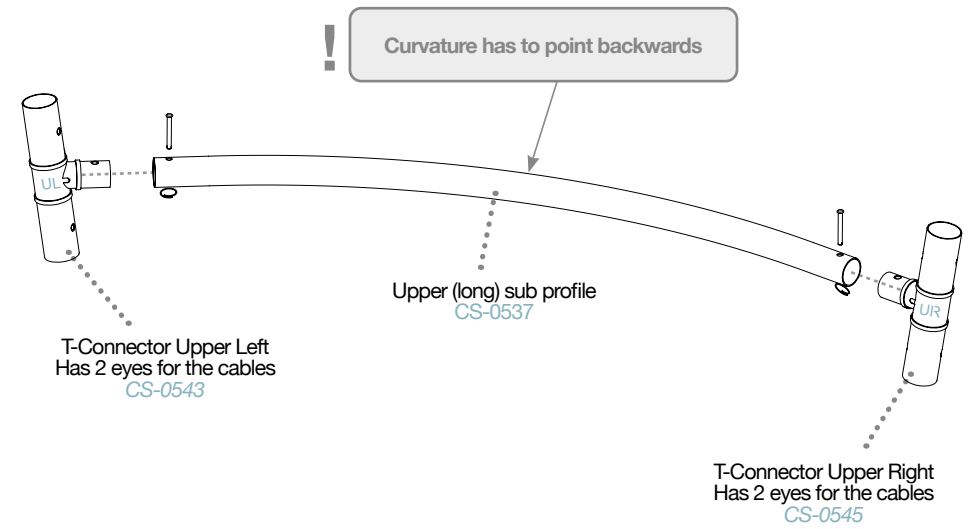
STEP 1

Pre-assemble the lower sub profiles (6x)



STEP 2

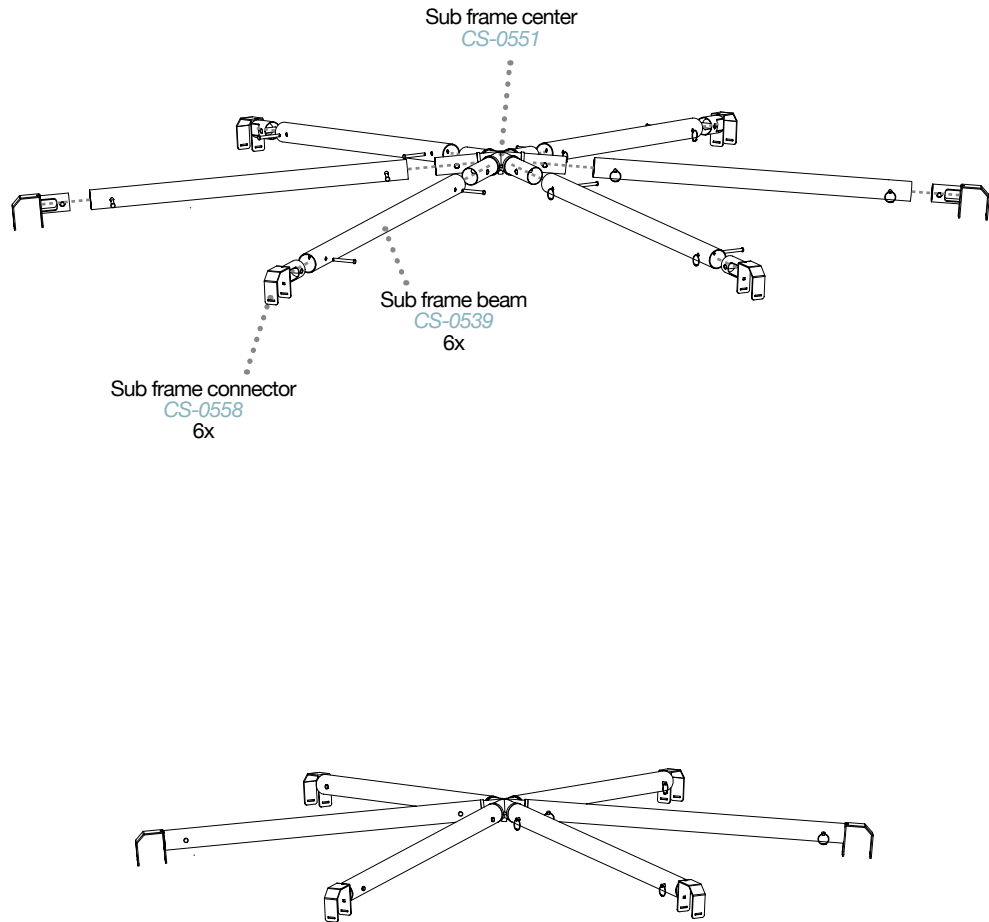
Pre-assemble the upper sub profiles (6x)



STEP 3

Pre-assemble the sub frame

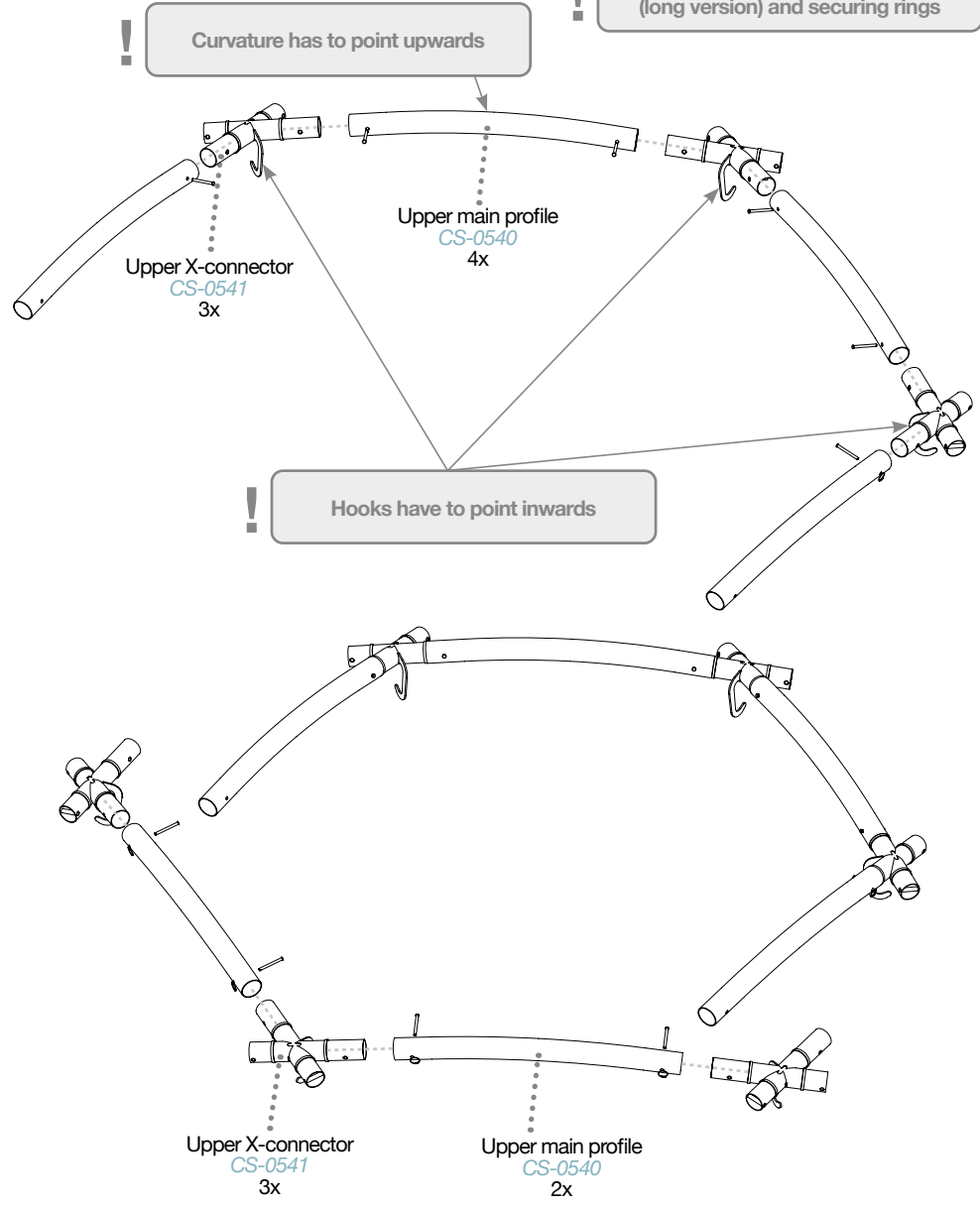
! Secure all parts with locking pins (short version) and securing rings



STEP 4

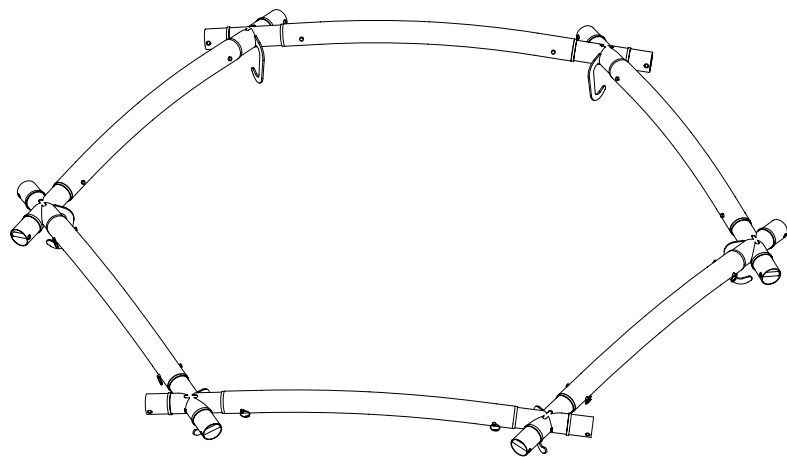
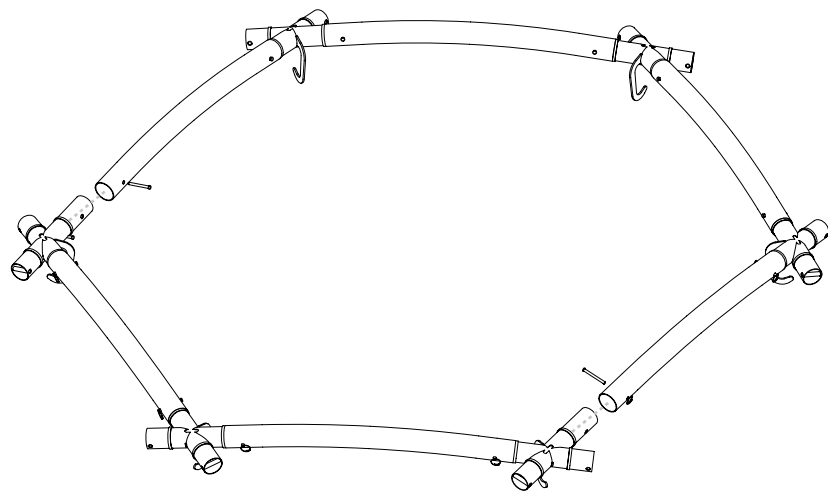
Assemble the frame body

! Secure all parts with locking pins (long version) and securing rings



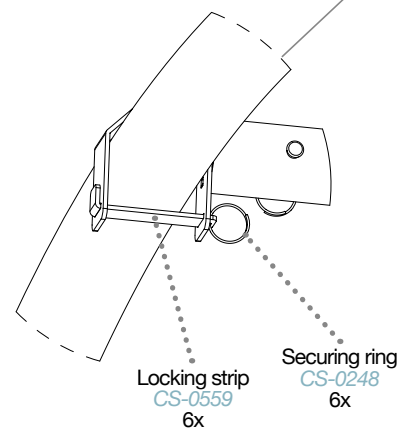
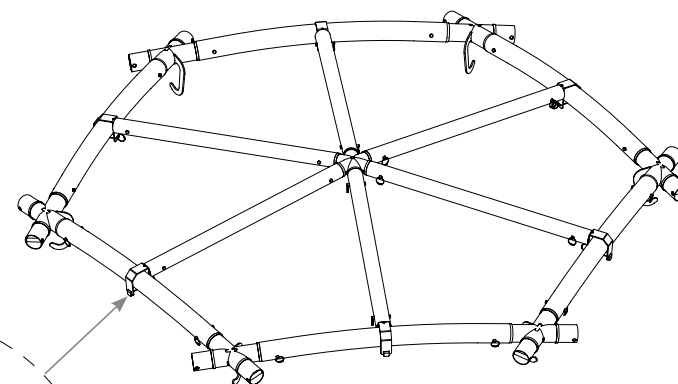
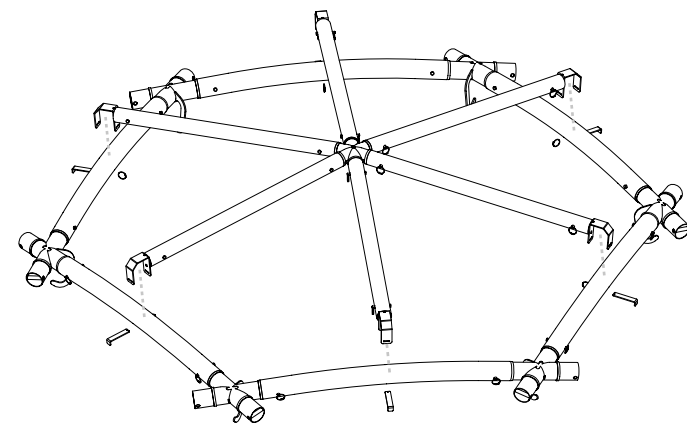


Secure all parts with locking pins (long version) and securing rings



STEP 5

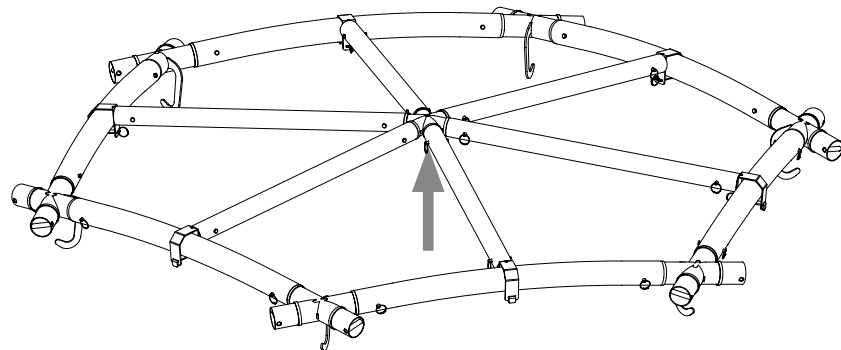
Mount the sub frame at the frame body



LIFTING

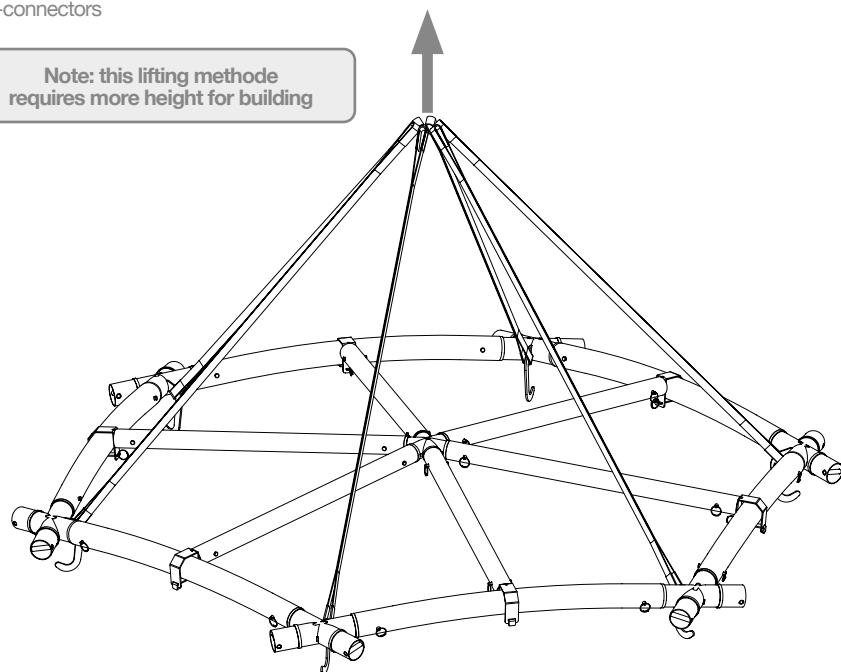
While building, the structure has to be lifted multiple times so that the assembly can easily be done on floor level. The structure is designed for two lifting methods:

1. Lifting from below (for example with a traverse lift) by using the subframe. Requirements lifting device:
 - minimum lifting height: 7,5 meter
 - minimum safe working load: 1200kg (without suspended loads)



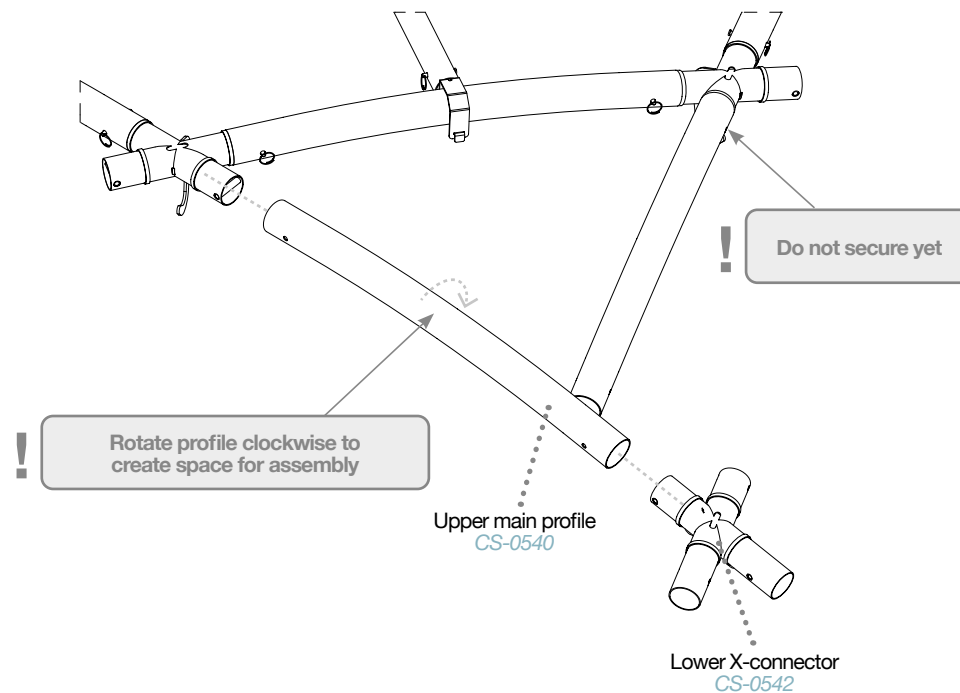
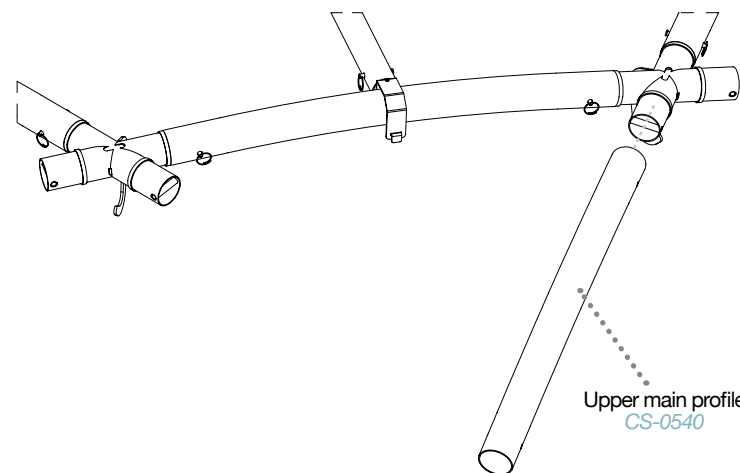
2. Lifted from the top (for example with a crane) by using lifting slings (2 meter, 1000 KG) and the hook of the X-connectors

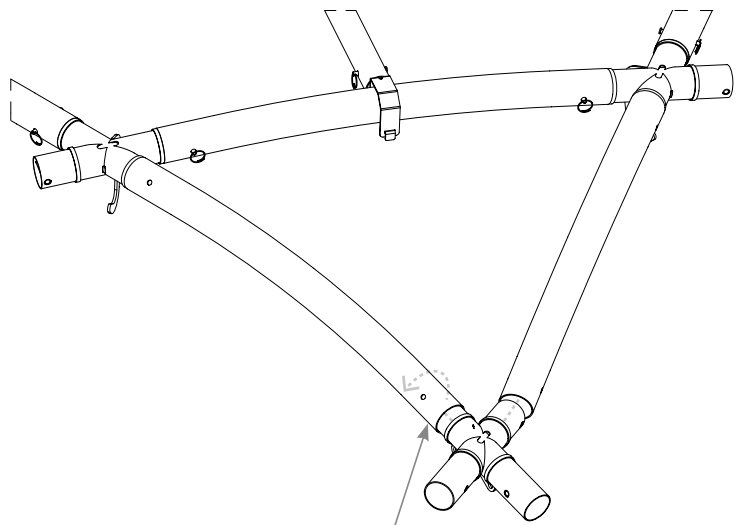
! Note: this lifting method requires more height for building



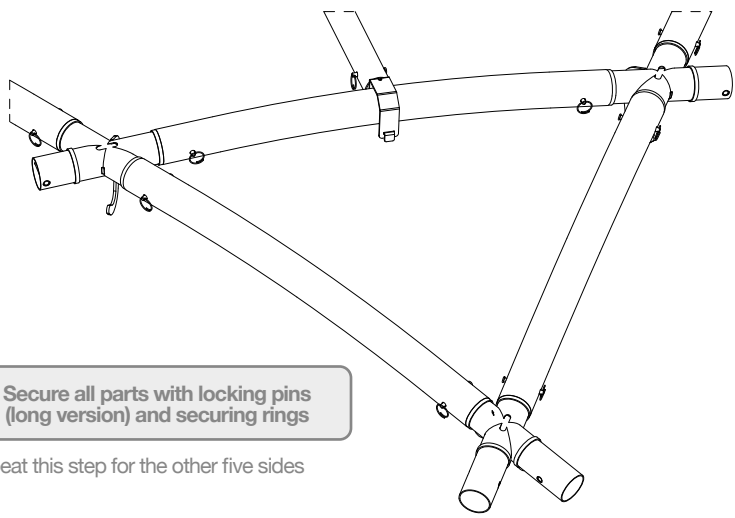
STEP 6

Assemble the remaining upper main profiles and Lower X-connectors





! Rotate profile counter clockwise and push the X-connector slowly in the profiles

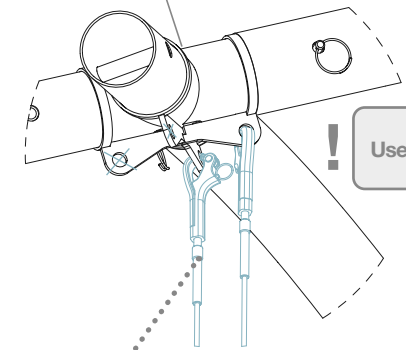
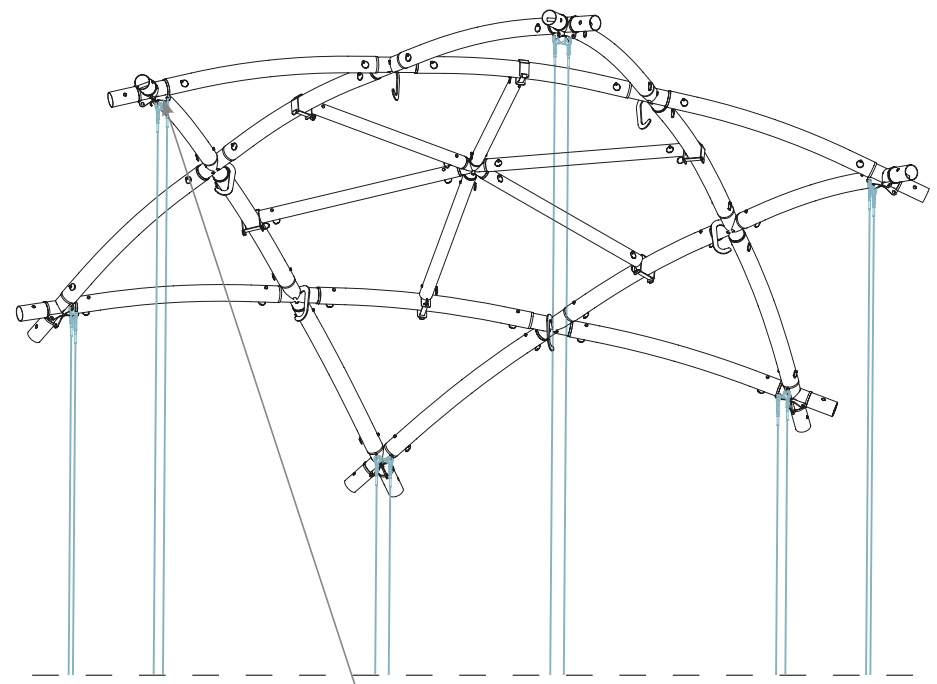


! Secure all parts with locking pins (long version) and securing rings

Repeat this step for the other five sides

STEP 7

Mount the first end of the upper cables

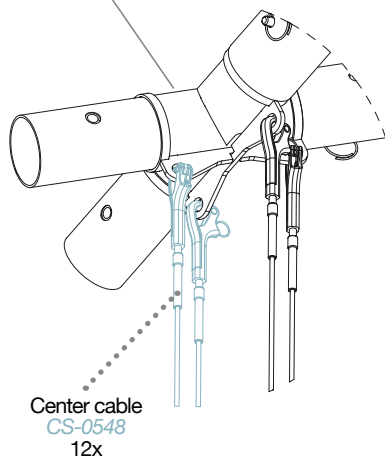
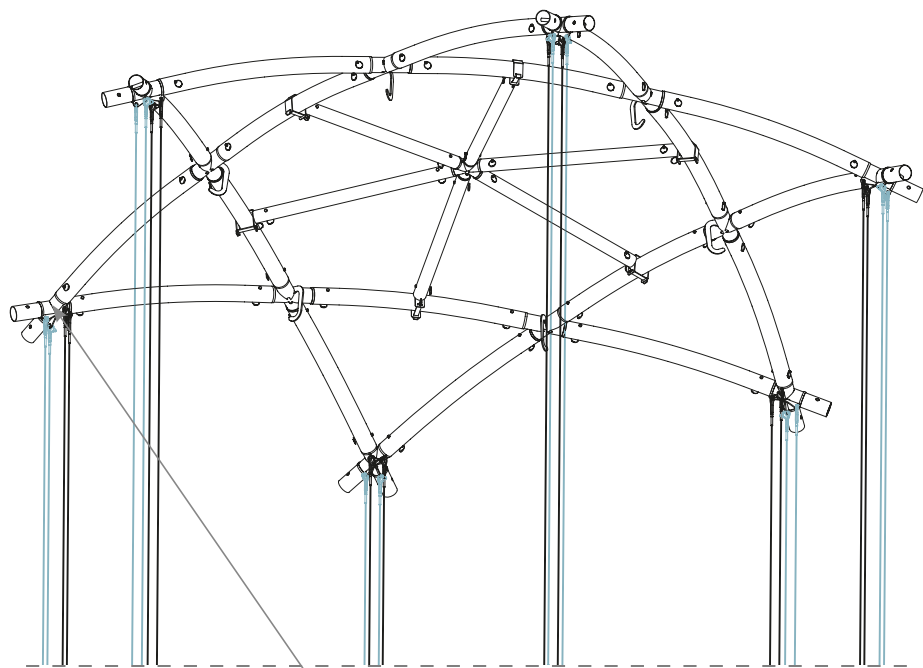


! Use the two inner eyes of the X-connector

Upper cable
CS-0547
12x

STEP 8

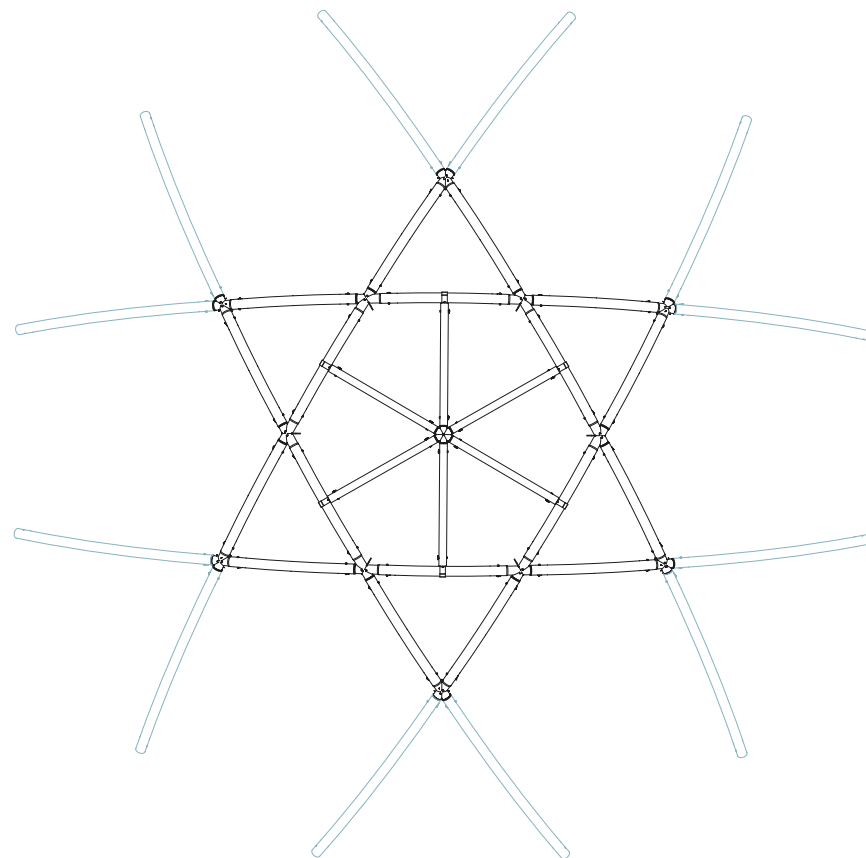
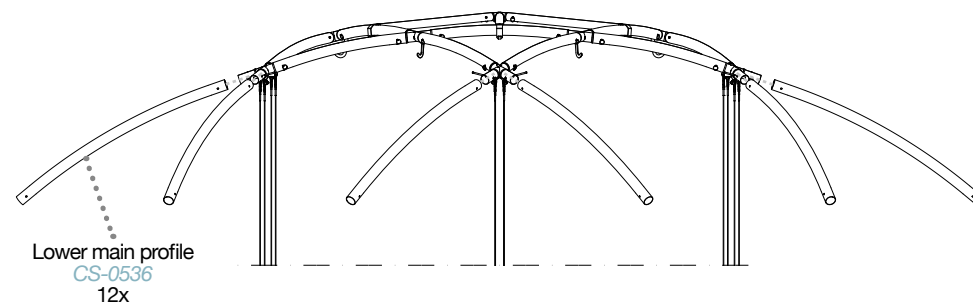
Mount the first end of the 12 center cables



STEP 9

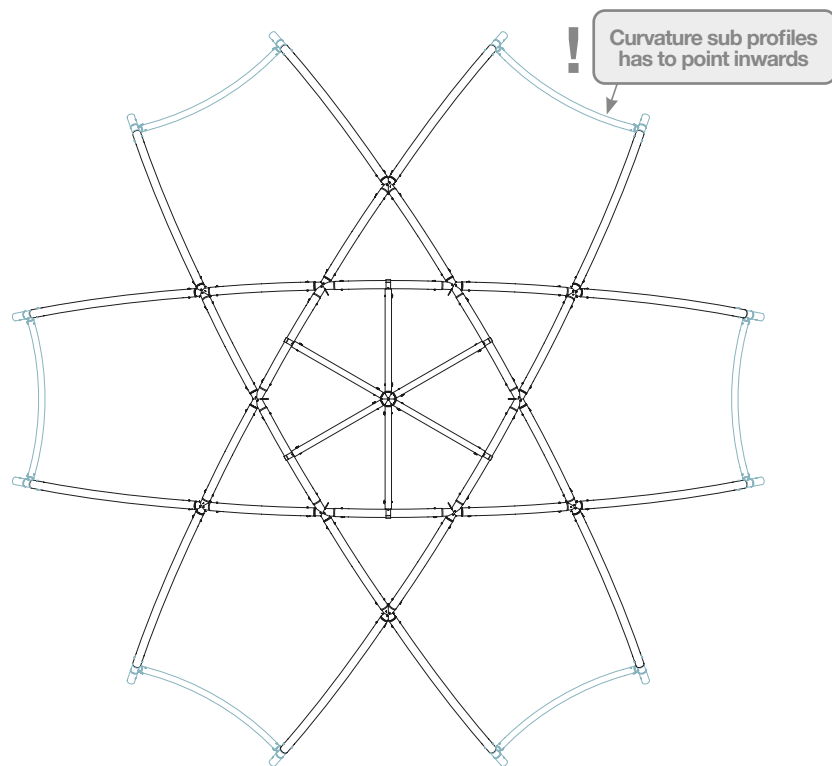
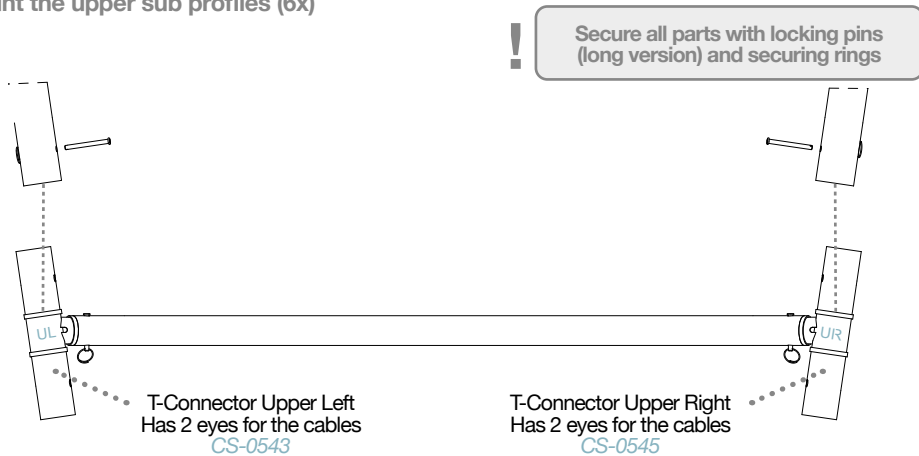
Mount the first end of the center cables

! Secure all parts with locking pins (long version) and securing rings



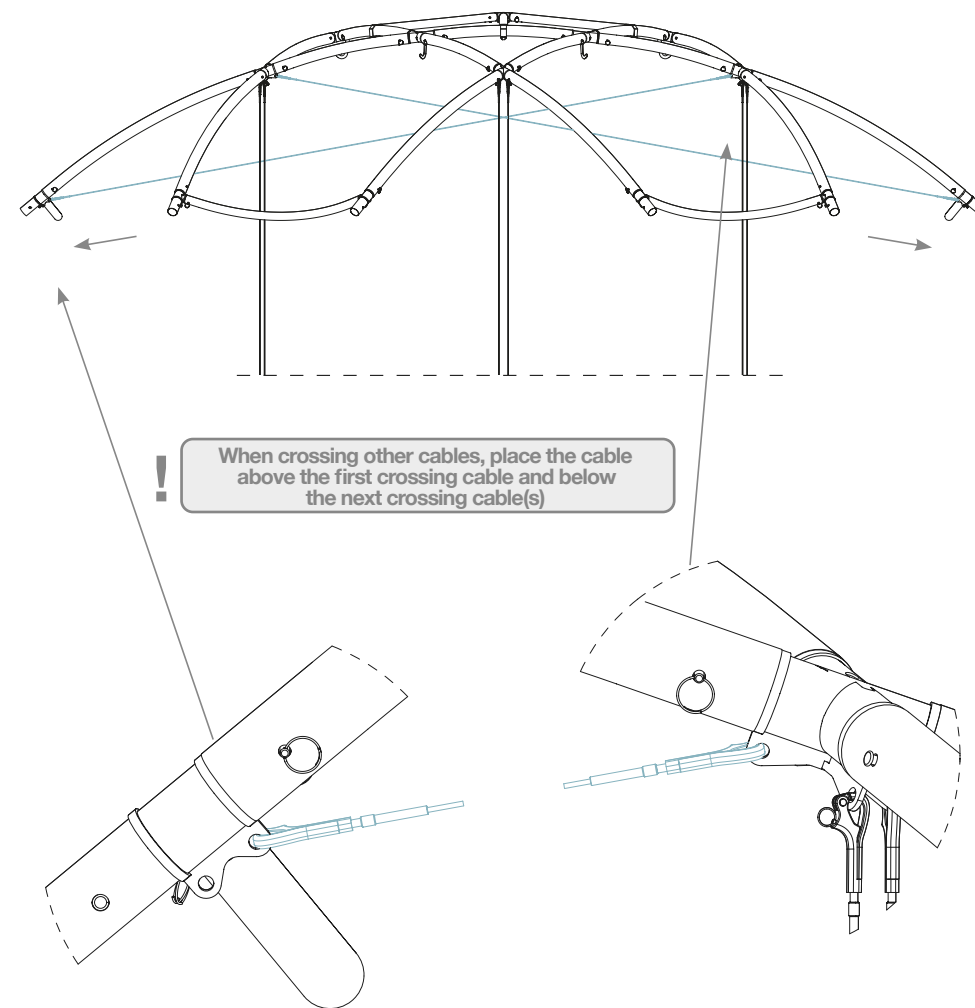
STEP 10

Mount the upper sub profiles (6x)



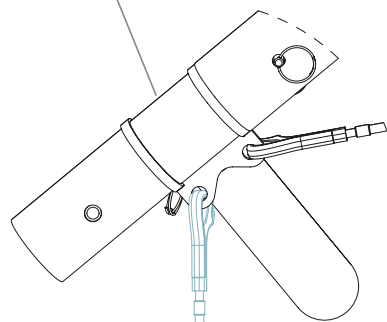
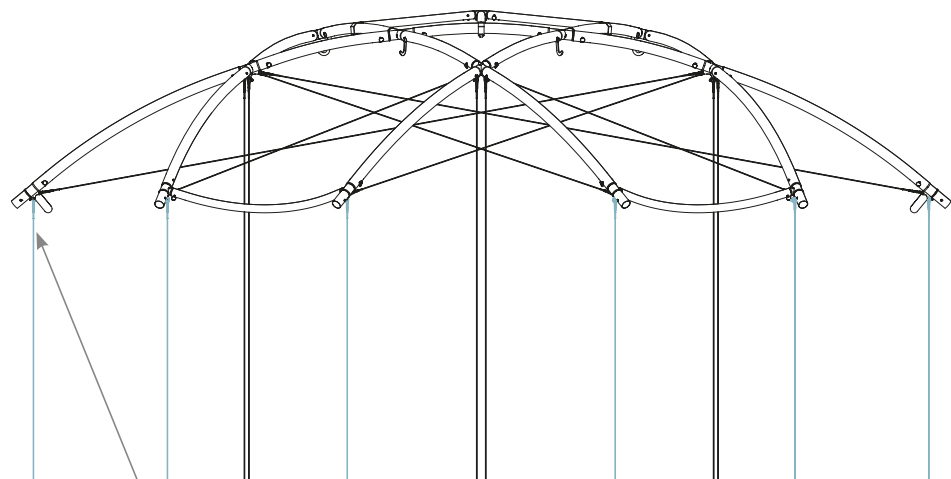
STEP 11

Mount the second end of the 12 upper cables



STEP 12

Mount the first end of the 12 tensioning cables

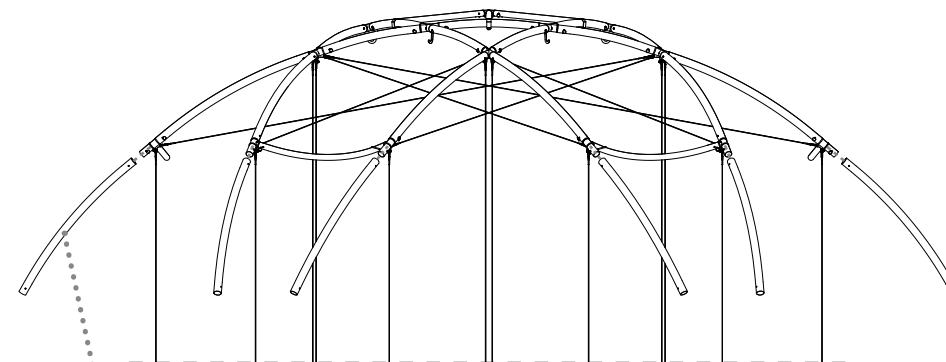


Tensioning cable
CS-0549
12x

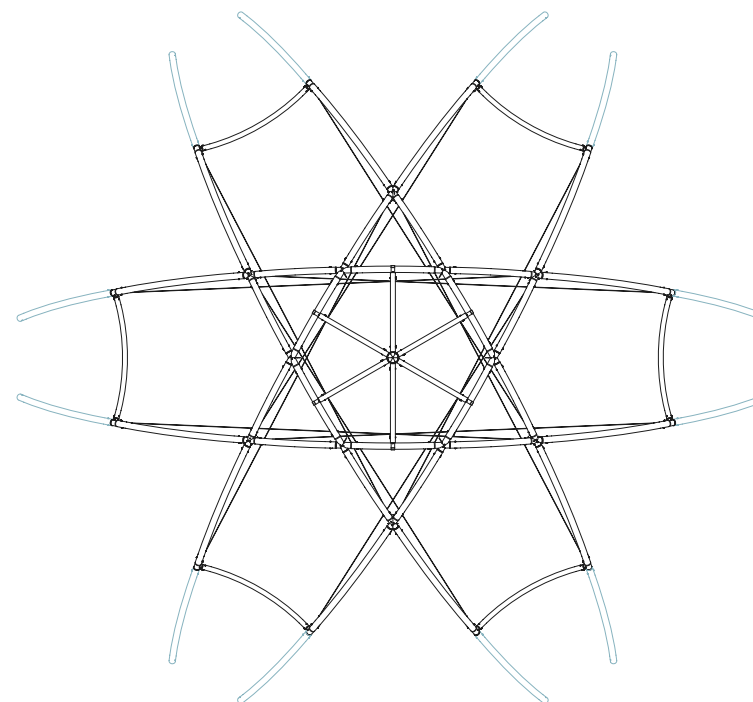
STEP 13

Mount the second level of main profiles

! Secure all parts with locking pins (long version) and securing rings

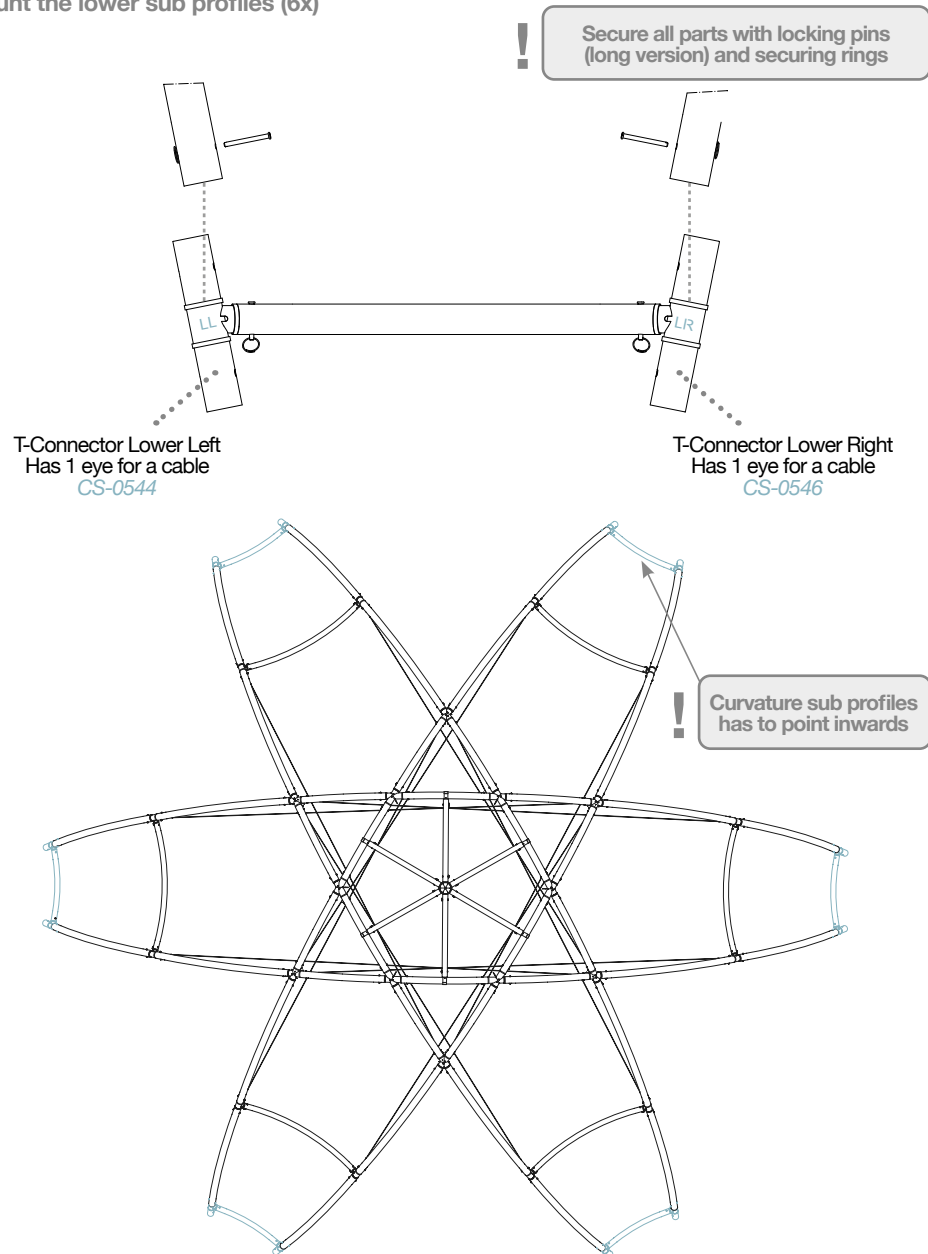


Lower main profile
CS-0536
12x



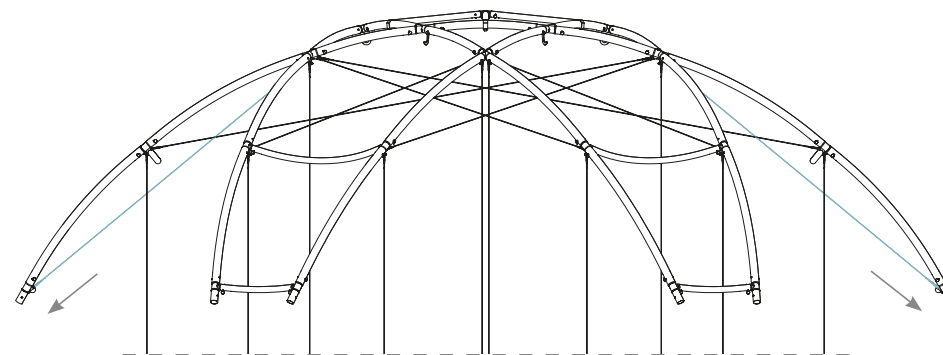
STEP 14

Mount the lower sub profiles (6x)



STEP 15

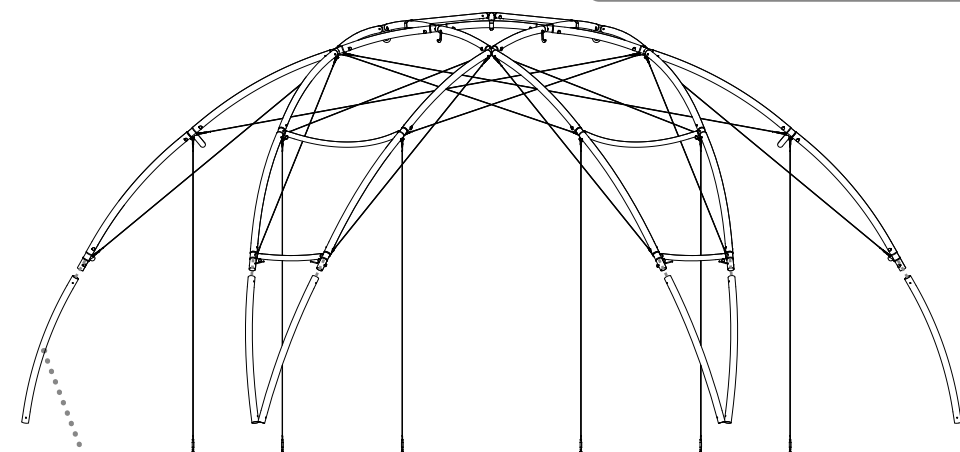
Mount the second end of the center cables



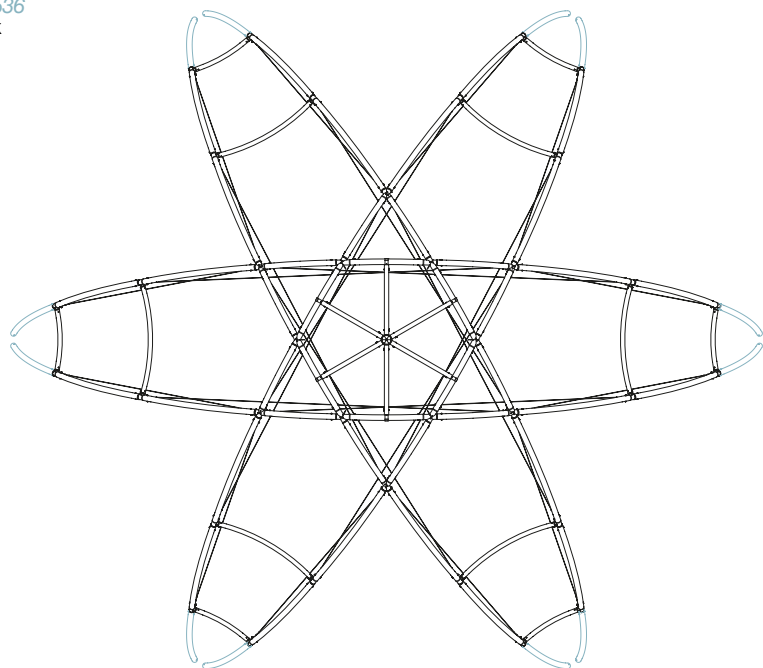
STEP 16

Mount last level of main profiles

! Secure all parts with locking pins (long version) and securing rings



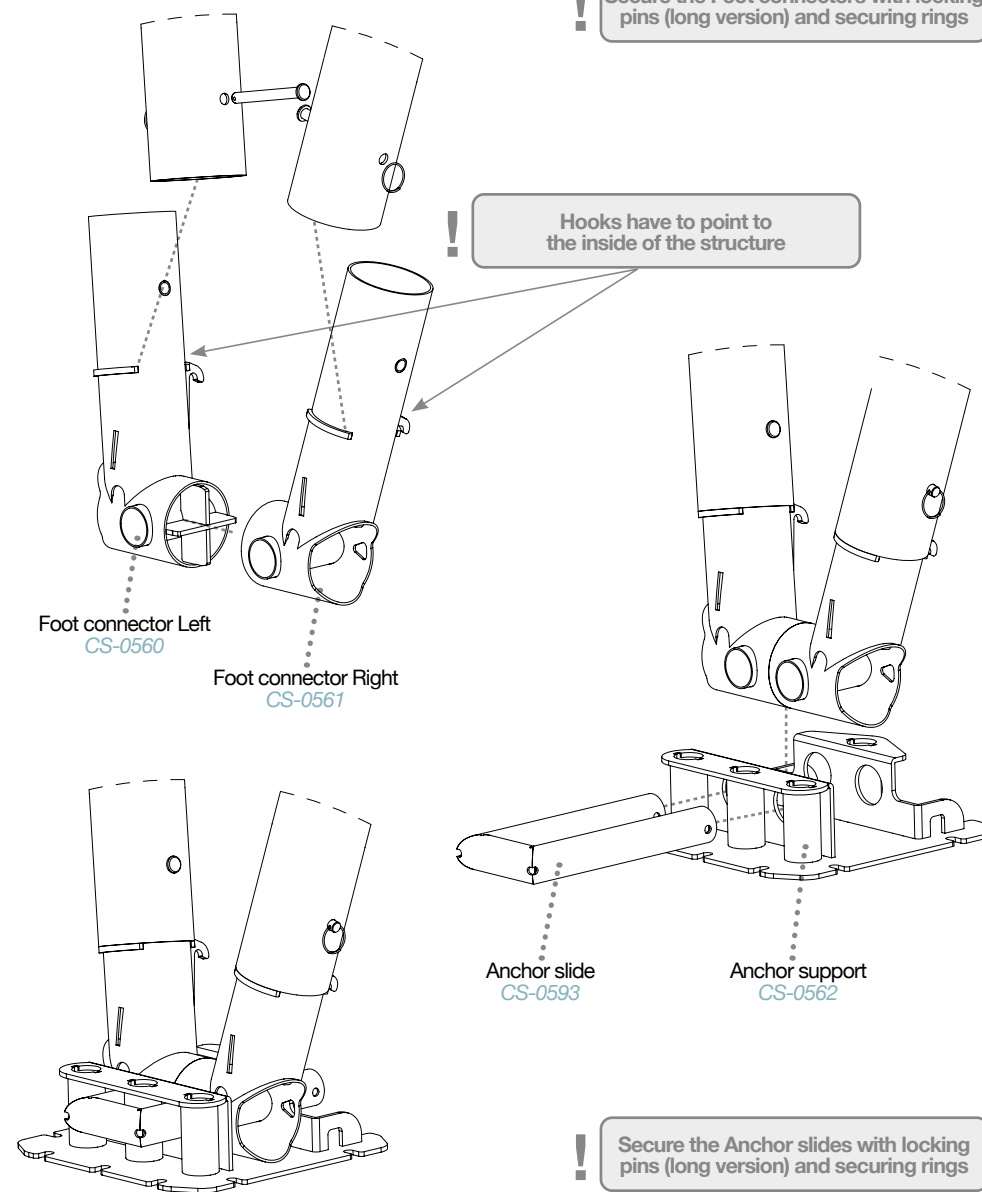
Lower main profile
CS-0536
12x



STEP 17

Mount the feet (6x)

! Secure the Foot connectors with locking pins (long version) and securing rings



Foot connector Left
CS-0560

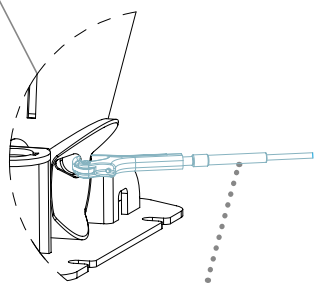
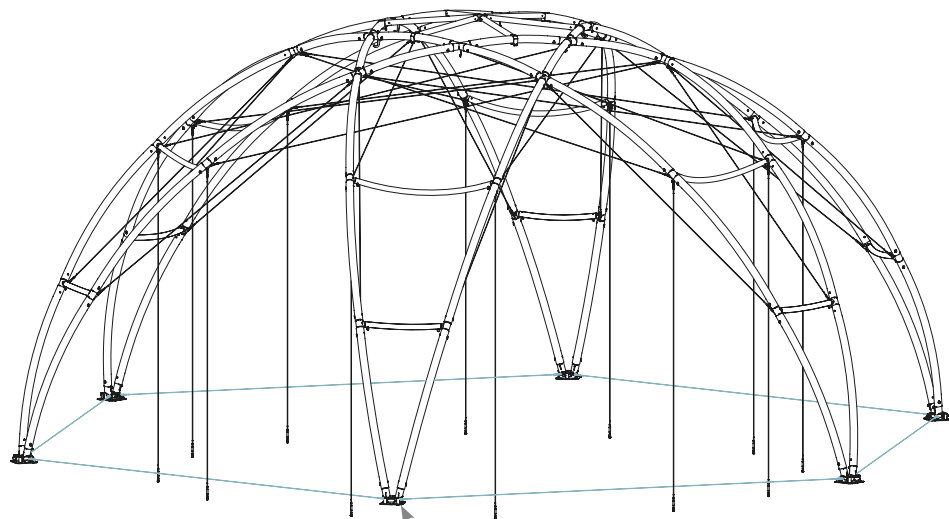
Foot connector Right
CS-0561

Anchor slide
CS-0593

Anchor support
CS-0562

STEP 18

Mount the positioning cables



Positioning cable
CS-0235
6x

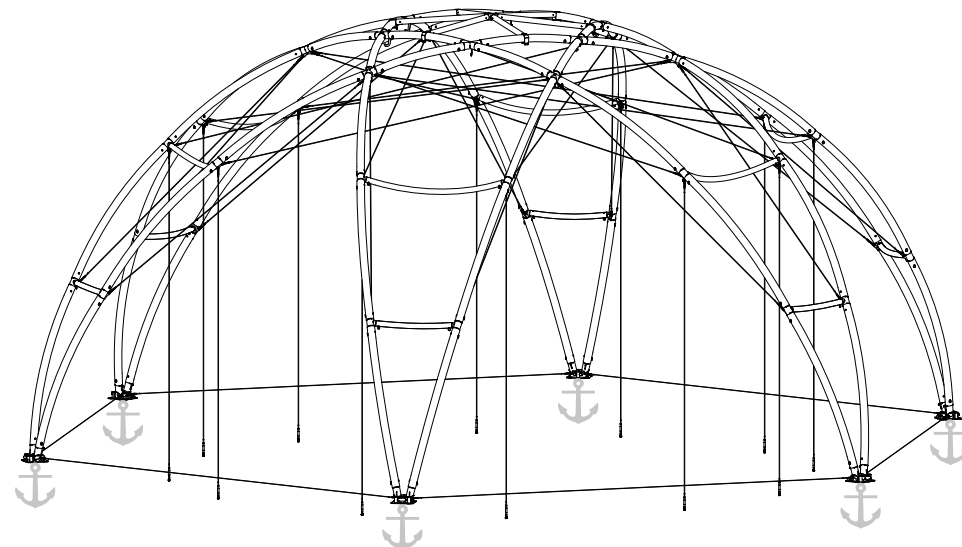
- ! The positioning cables are used to secure an accurate distance between the feet.
- After mounting the positioning cables the structure can be placed on its feet
- Pull the legs of the structure outwards to put the positioning cables under tension

STEP 19

Anchor the structure



For the different anchoring options and instructions see the anchoring guide

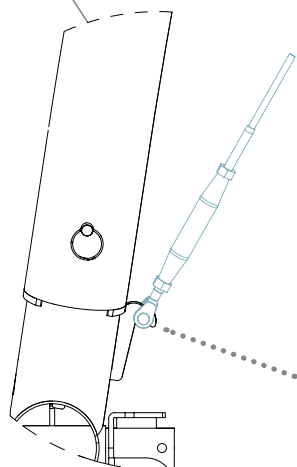
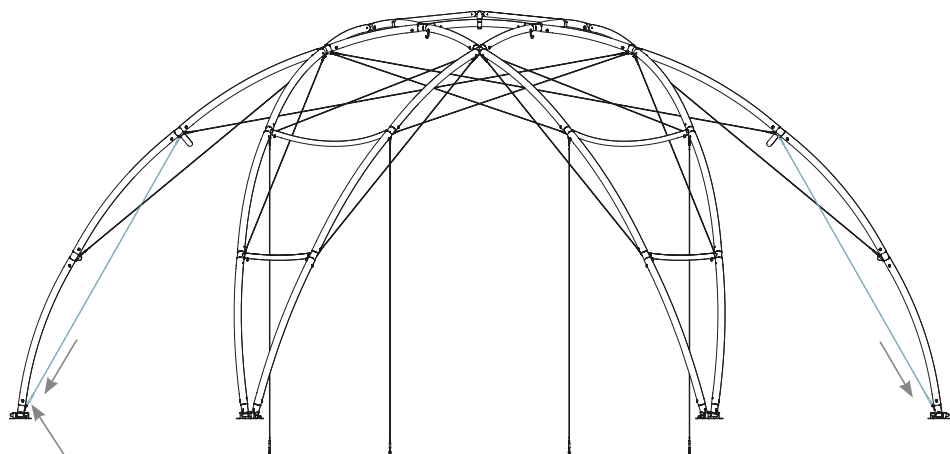


Remove the positioning cables after anchoring

STEP 20

Mount and tension the 12 tension cables

By tensioning the tension cables all the cables in the structure get tensioned and the structure gets its rigidity



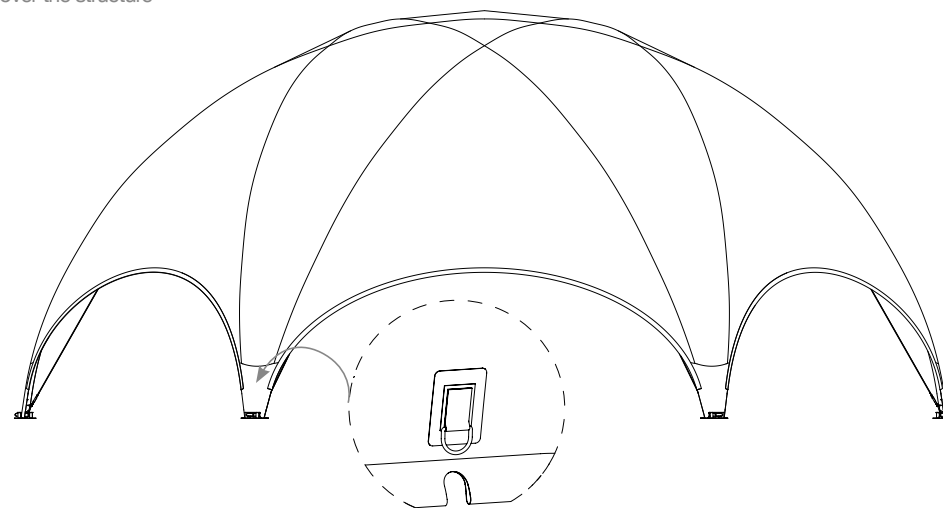
! Use the inner hooks

STEP 21

Place the cover over the structure

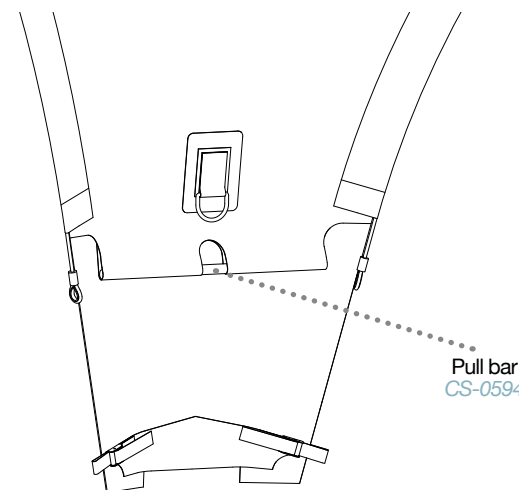
The included rope can be used to pull the cover over the structure

! Do not place the cover in windy conditions or take decent security measures



STEP 22

Place the pull bars in the loops of the cover corners

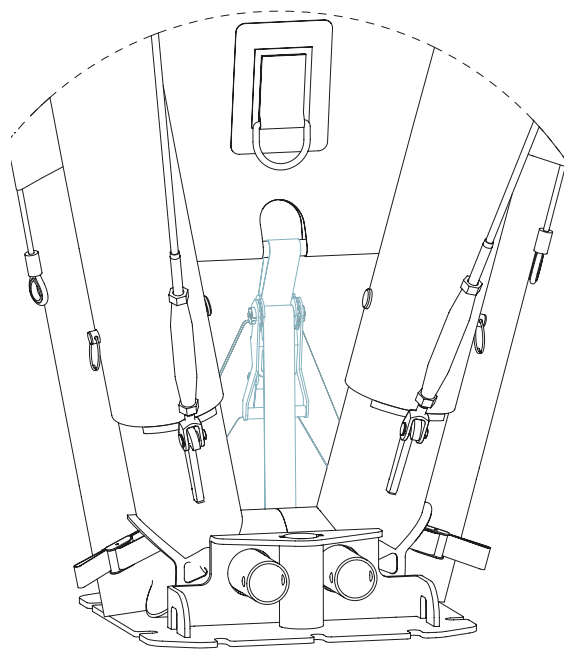
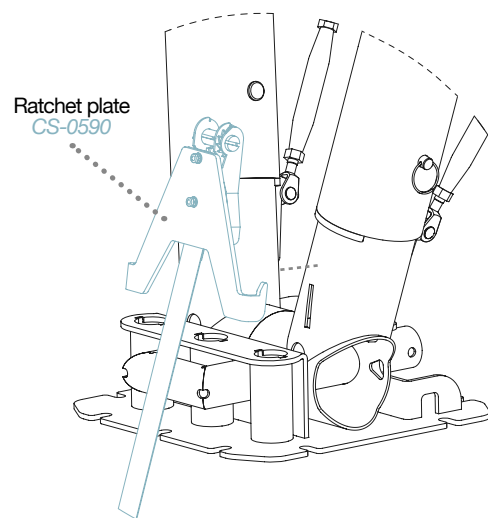


Pull bar
CS-0594

STEP 23

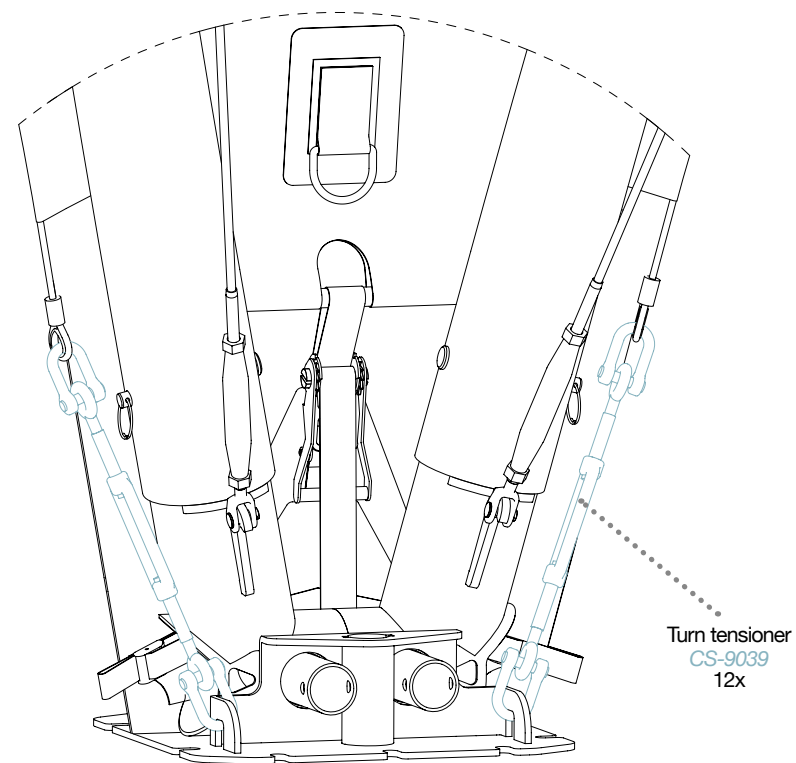
Tension the cover at the corners

Use the seams of the cover to align the cover with the structure



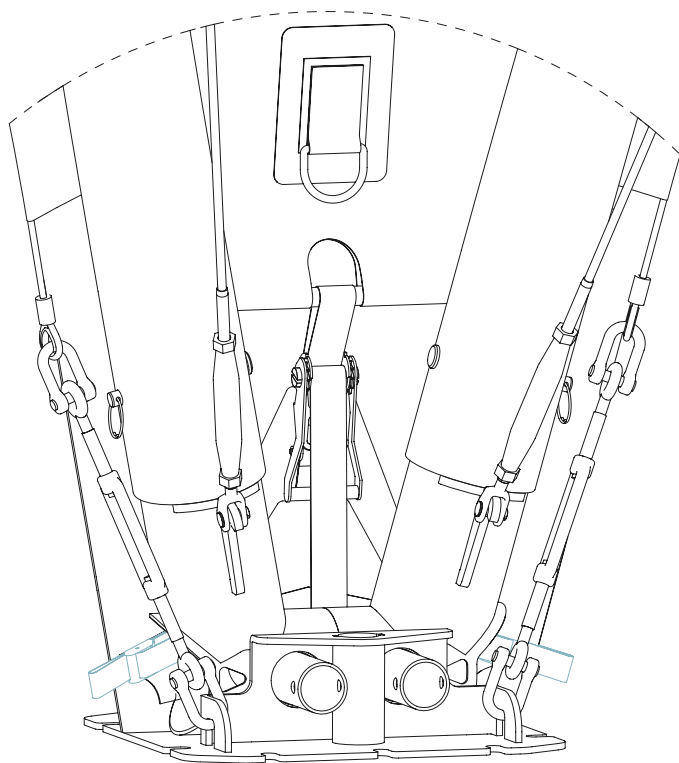
STEP 24

Tension the contours of the cover with the turn buckles



STEP 25

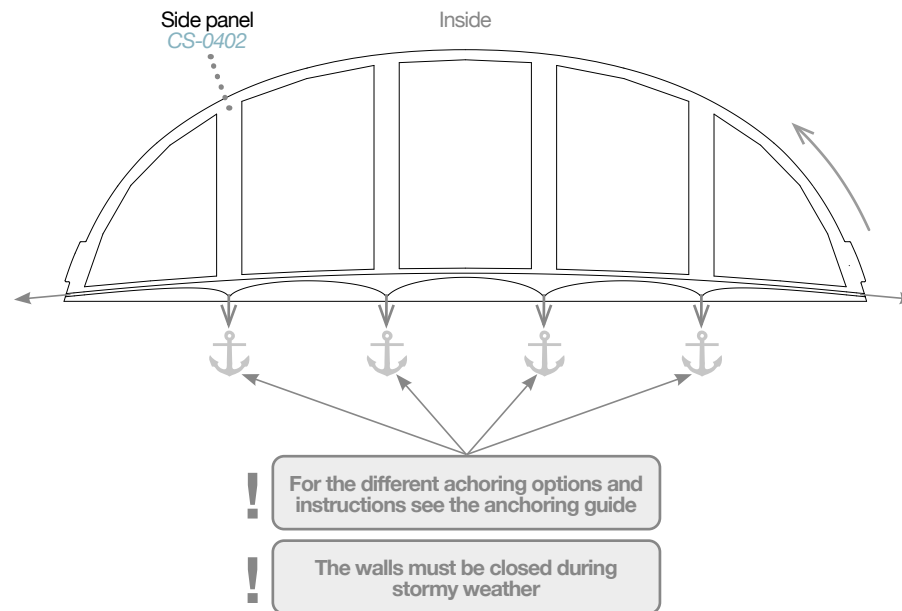
If necessary use the lashings to shape the corners



STEP 26

Mount the side panels (if desired)

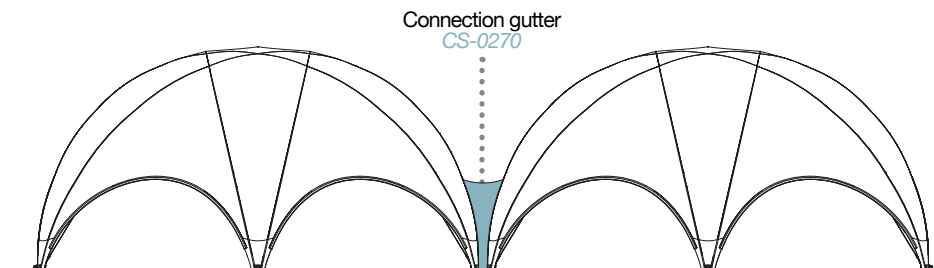
1. Hang the side panel under the cover openings using the 5 hooks on the upper contour
2. Close the zipper from right to left, seen from the inside of the structure. The 5 hooks now can be demounted
3. Tension the side panel with the lashings at the bottom. Tension the outer lashings to the structure feet and the inner lashings to the ground



STEP 27

Mount the connection gutter (if desired)

Close the zippers from right to left, seen from the inside of the structure





Installation movie
Hexadome L

CS BI HDL V3.2

Gewenten 43a
4704 RE Roosendaal
The Netherlands
T +31 (0)165 51 07 77



Creative | Structures

sales@creative-products.nl
www.creative-products.nl