


# Crossover M Installation

Version 3.1

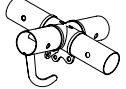


# BOX CONTENTS

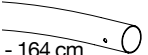
## Crossover Medium

- 1x **CS-0233**  
Transportbox 

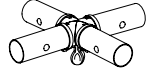
---

- 4x **CS-0050**  
X-connector 

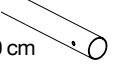
---

- 4x **CS-0389**  
Upper main profile  
ø90 mm - 164 cm 


---

- 1x **CS-0334**  
Sub frame center 


---

- 4x **CS-0356**  
Sub frame beam  
ø70 mm - 80 cm 

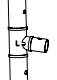
---

- 4x **CS-0336**  
Sub frame connector 

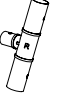
---

- 4x **CS-0337**  
Locking strip 


---

- 4x **CS-0116**  
T-Connector Left  
Marked with "L" 


---

- 4x **CS-0117**  
T-Connector Right  
Marked with "R" 

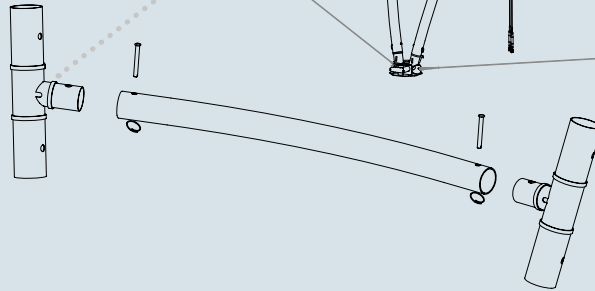
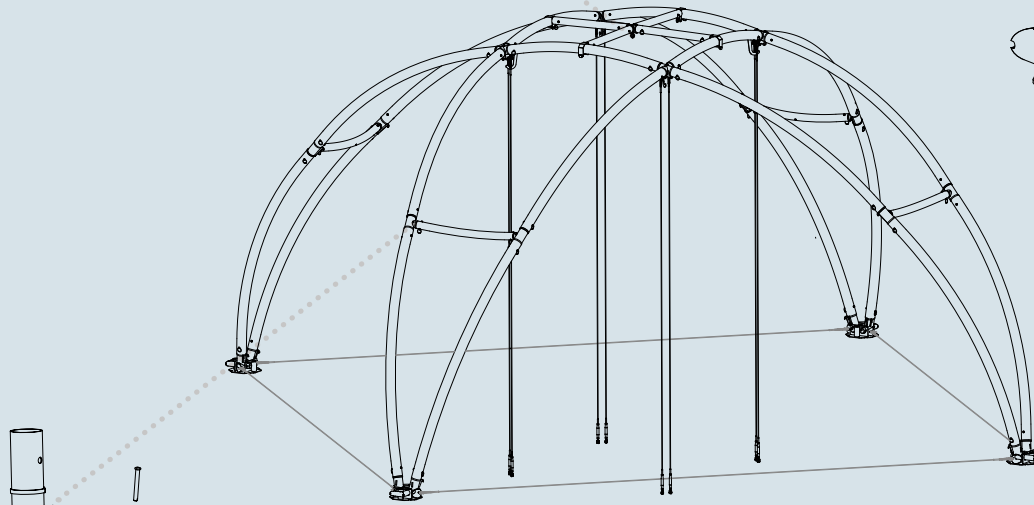
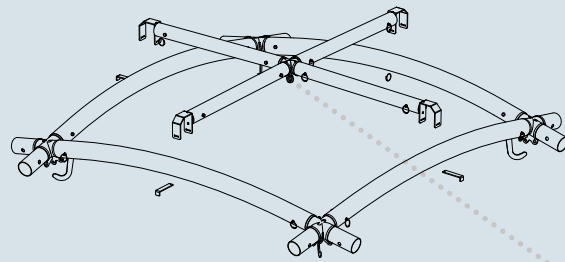
---

- 4x **CS-0113**  
Sub profile  
ø70 mm - 107 cm 


---

- 16x **CS-0114**  
Main profile  
ø90 mm - 243 cm 

M

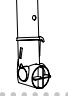


- 50x **CS-0093**  
Locking pin (medium)  
ø90 mm profile 


- 20x **CS-0105**  
Locking pin (small)  
ø70 mm profile 

- 80x **CS-0248**  
Securing ring 


- 1x **CS-9037**  
Strap 4m. 

- 4x **CS-0058**  
Foot connector Left 

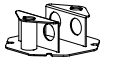
---

- 4x **CS-0108**  
Foot connector Right 


---

- 4x **CS-0099**  
Anchor slide 


---

- 4x **CS-0148**  
Anchor support 

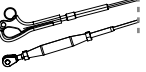
---

- 4x **CS-0236**  
Ratchet plate 


---

- 8x **CS-9009**  
Turn buckle 


---

- 8x **CS-0245**  
Tensioning cable 


---

- 4x **CS-0246**  
Positioning cable 


---

- 4x **CS-0497**  
Pull bar 

---

- 1x **CS-9012**  
Big Bag 

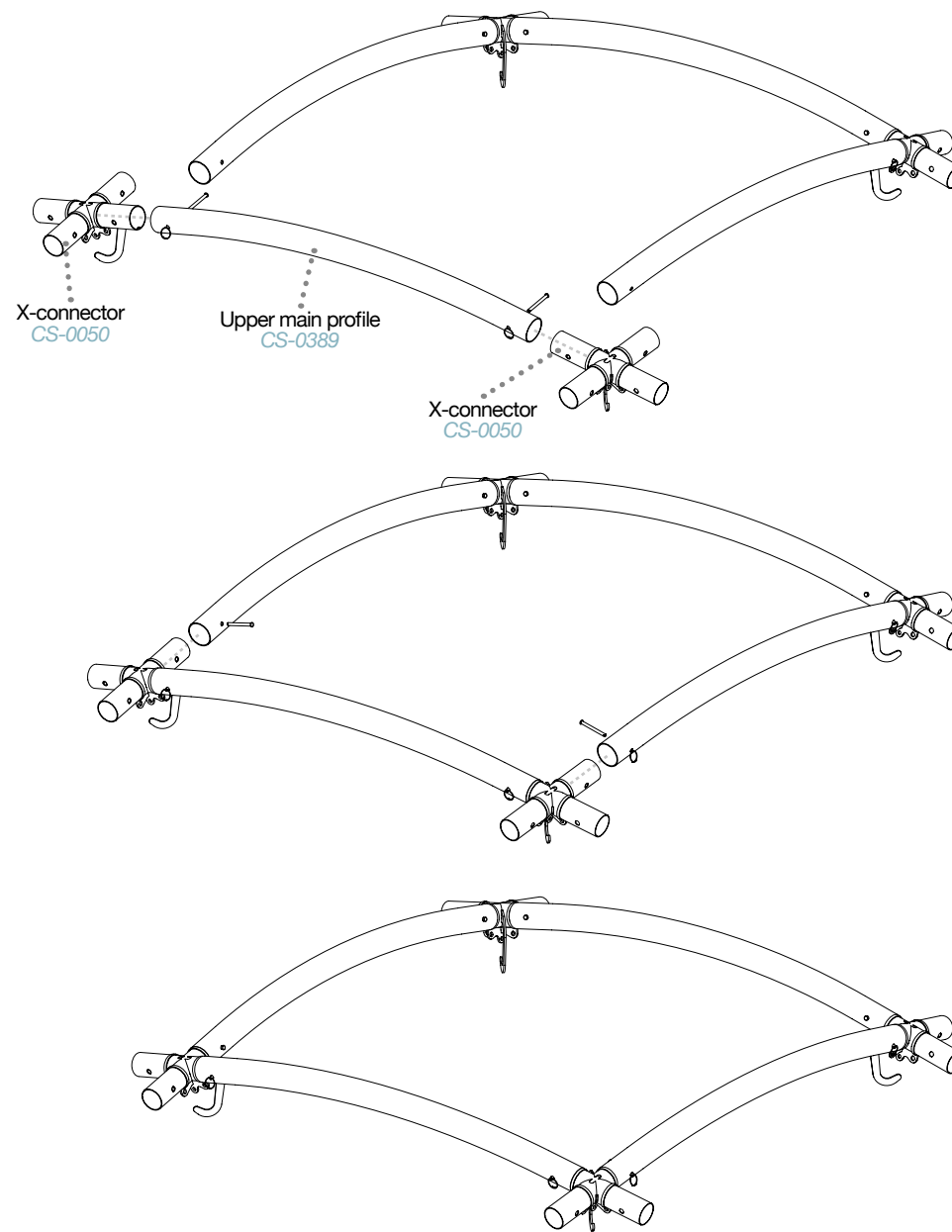
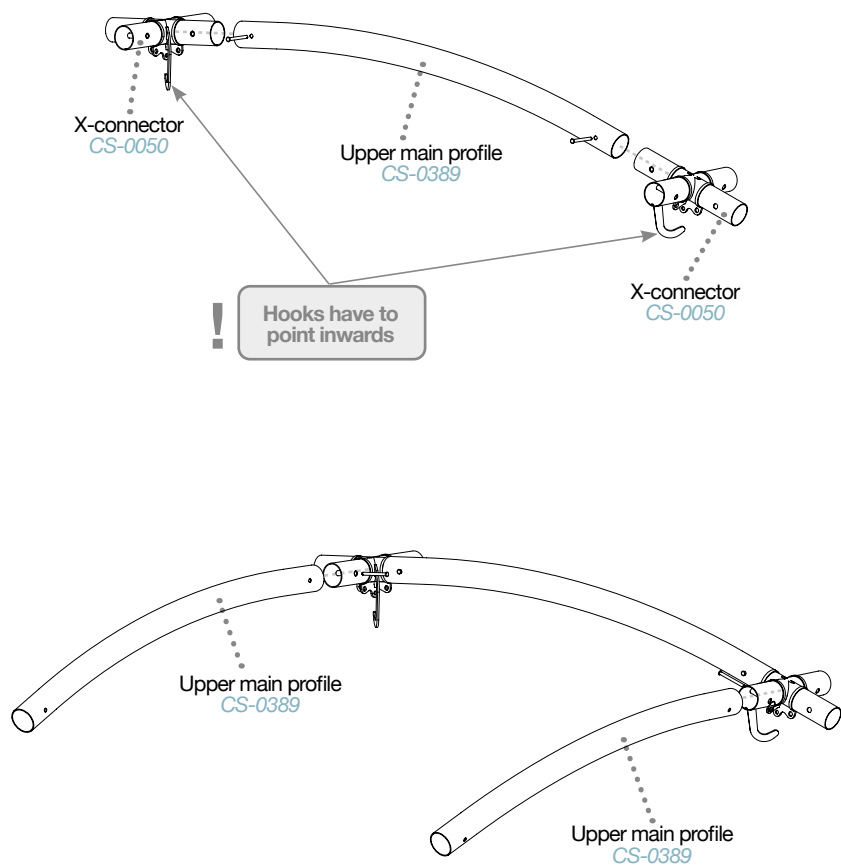
---

- 1x **CS-9013**  
Rope 20 m. 

# STEP 1

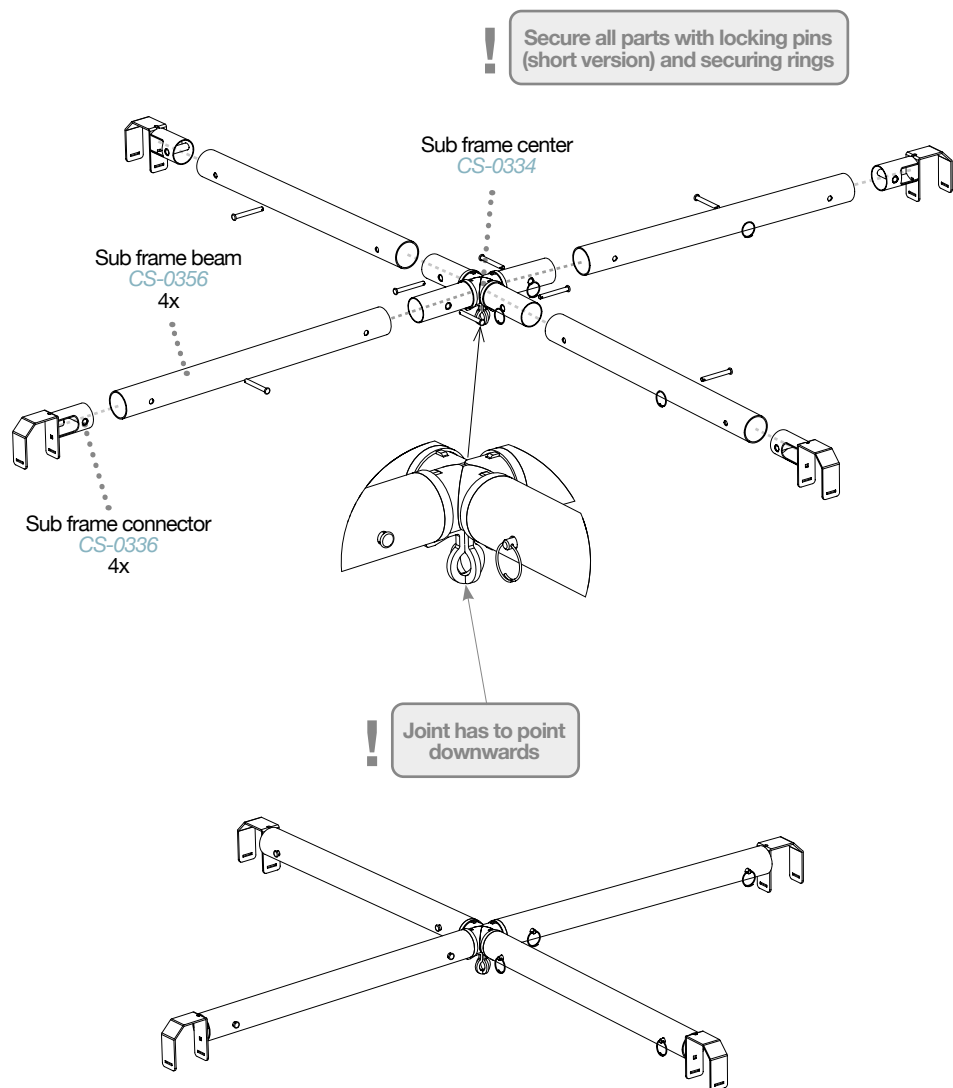
## Assemble frame body

! Secure all parts with locking pins (long version) and securing rings



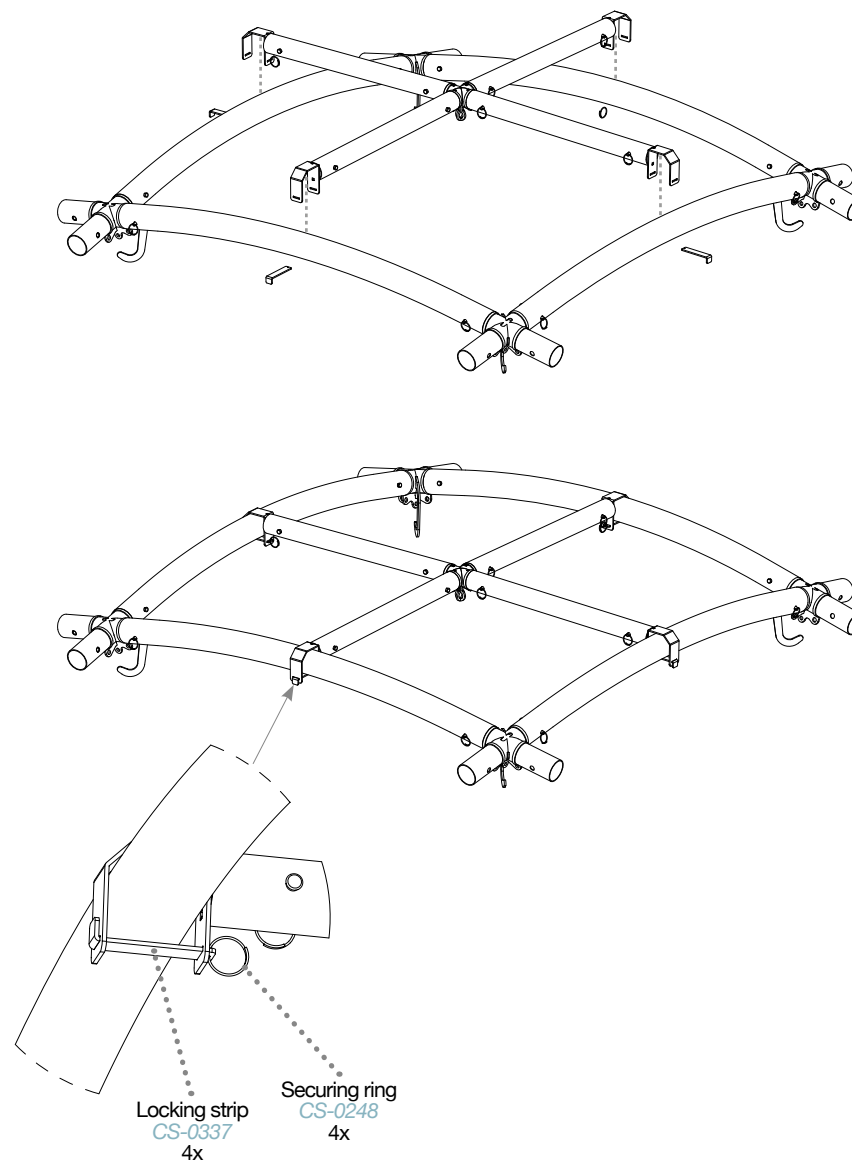
## STEP 2

Pre-assemble the sub frame



## STEP 3

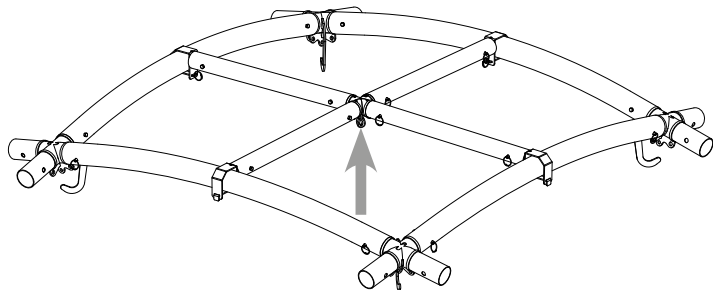
Mount sub frame at frame body



# LIFTING

While building, the structure has to be lifted multiple times so that the assembly can easily be done on floor level. The structure is designed for two lifting methods:

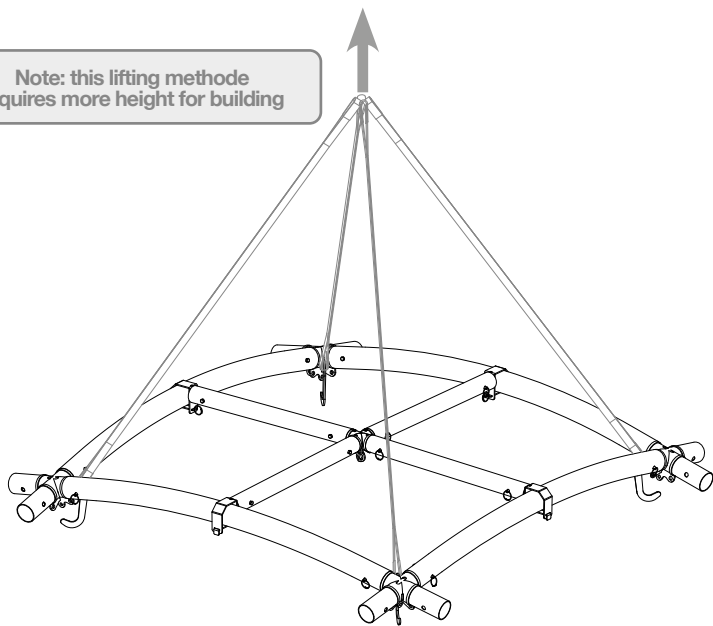
1. Lifting from below (for example with a traverse lift) by using the subframe. Requirements lifting device:
  - minimum lifting height: 4,2 meter
  - minimum safe working load: 225kg



2. Lifting from above (for example with a crane) by using lifting slings (2 meter, 1000 KG) and the hooks of the X-connectors

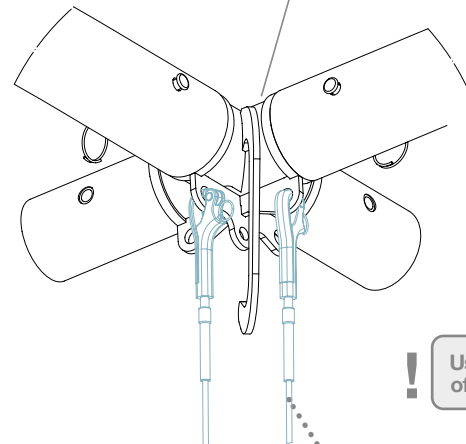
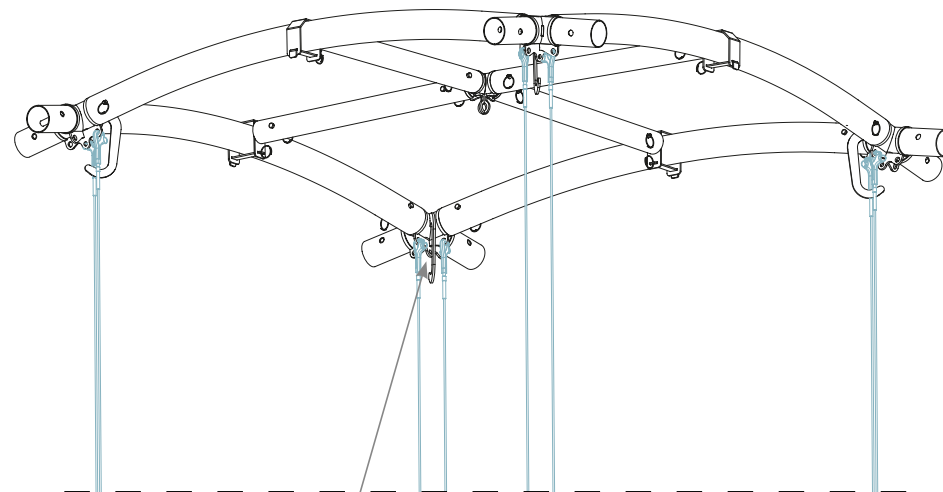


Note: this lifting method requires more height for building



# STEP 4

Mount the first end of the 8 tension cables



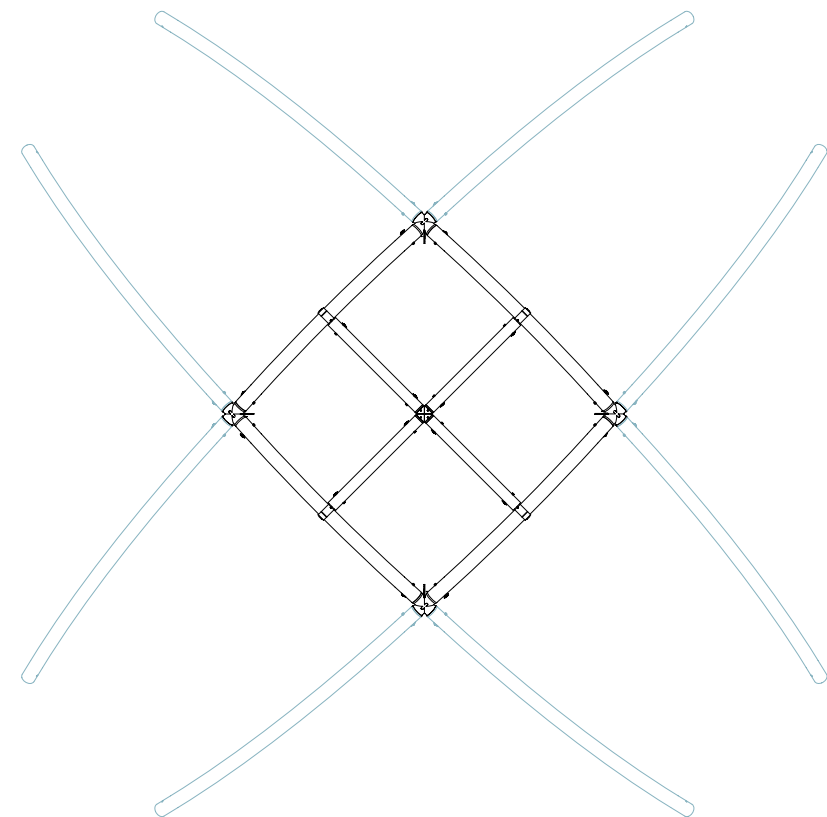
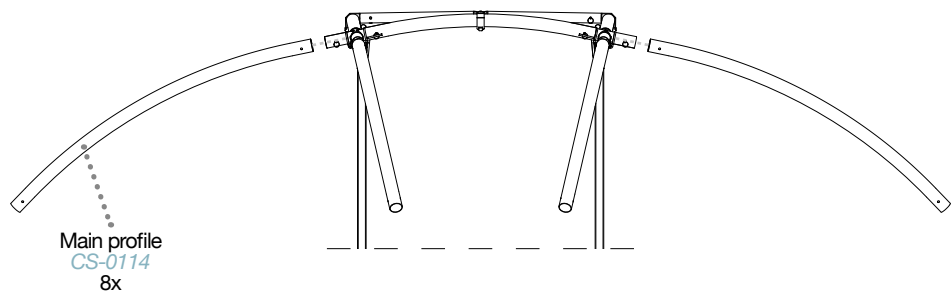
Use the 2 inner eyes of the X-connectors

Tension cable  
2x per X-connector  
CS-0245

## STEP 5

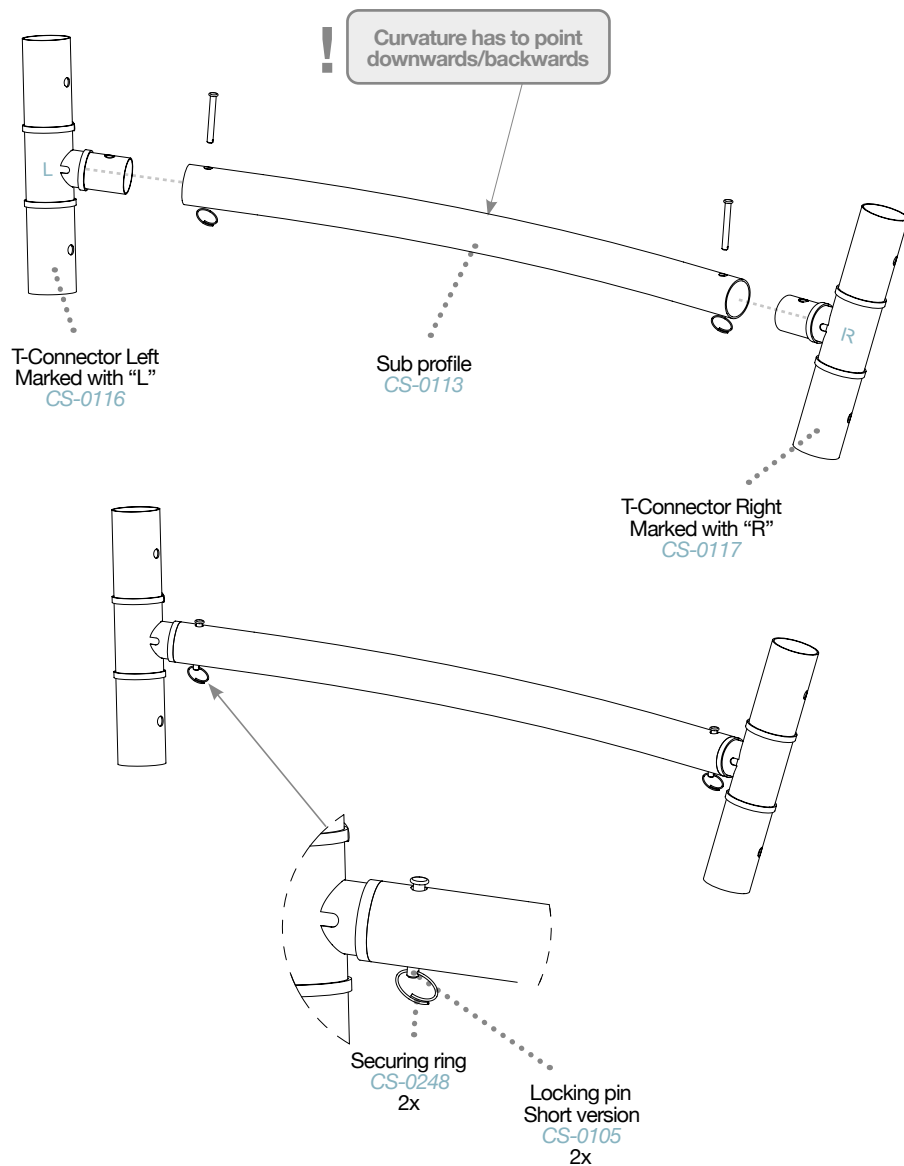
Mount the first level of main profiles

! Secure all parts with locking pins (long version) and securing rings



## STEP 6

Pre-assemble the sub profiles (4x)



## STEP 7

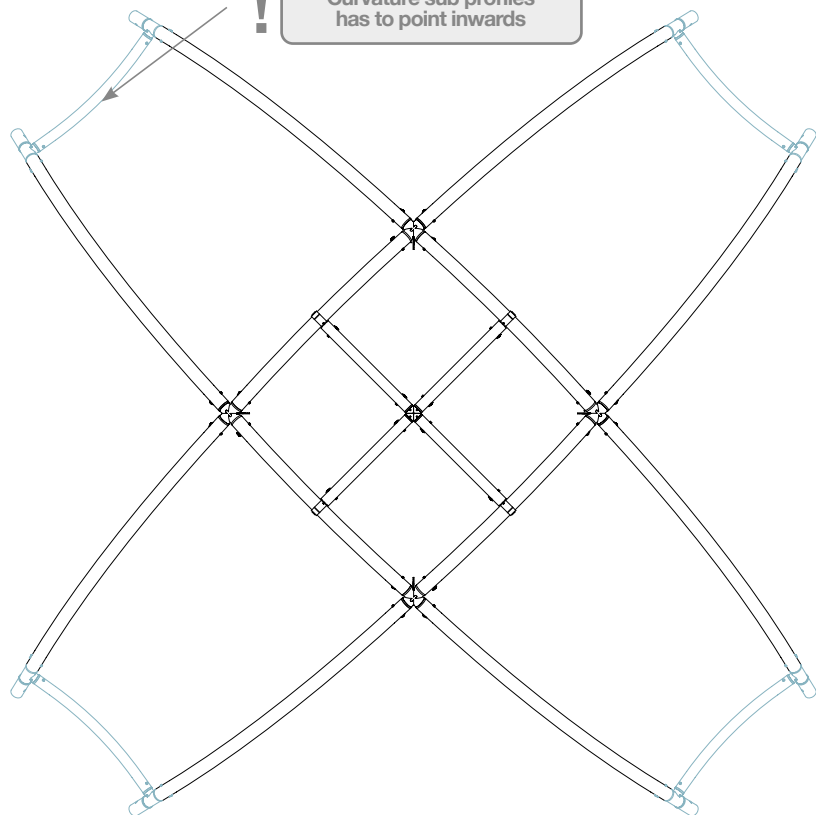
Mount the sub profiles (4x)



Secure all parts with locking pins (long version) and securing rings



Curvature sub profiles has to point inwards

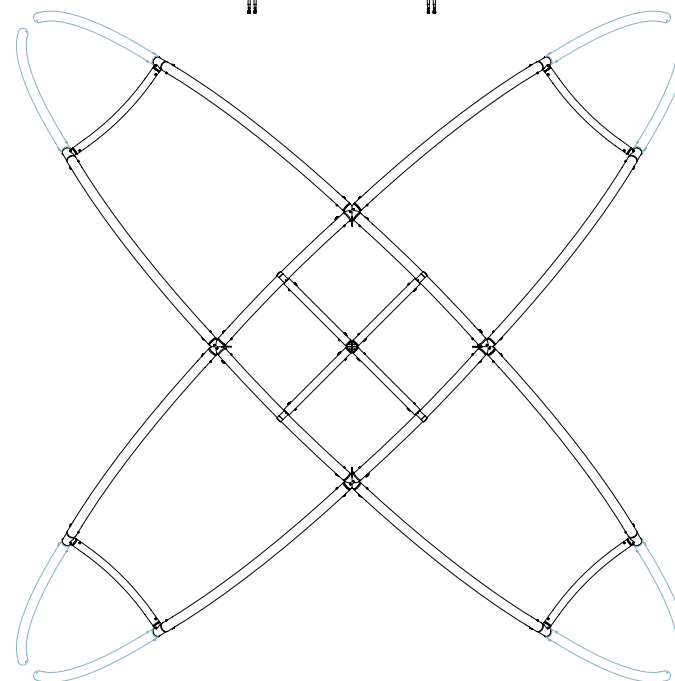
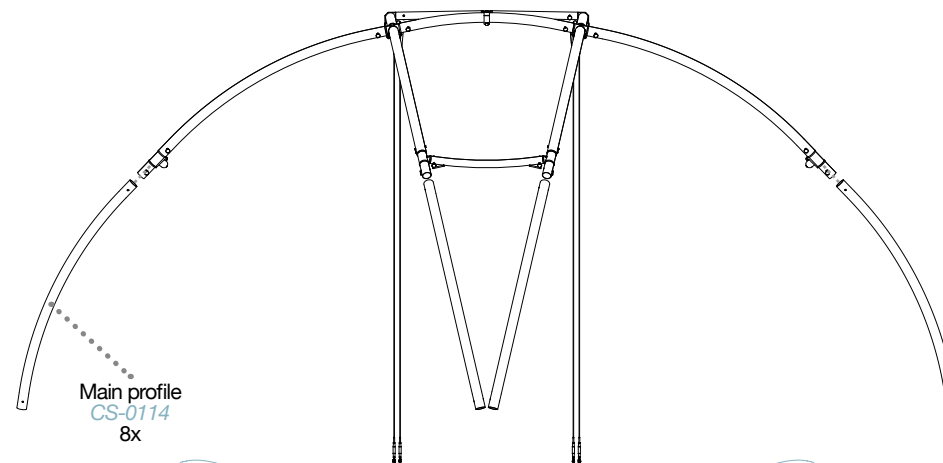


## STEP 8

Mount the second level of main profiles



Secure all parts with locking pins (long version) and securing rings



## STEP 9

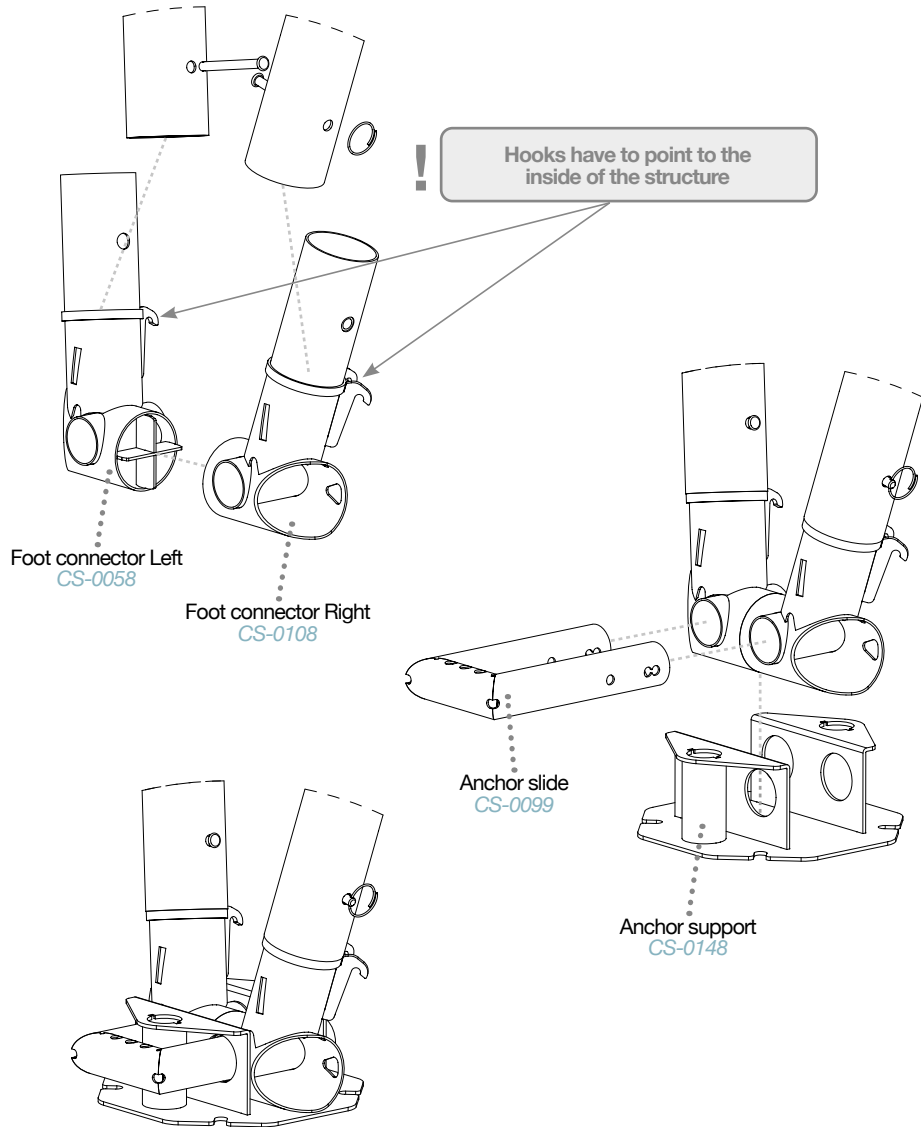
Mount the feet (4x)



Secure all parts with locking pins (long version) and securing rings

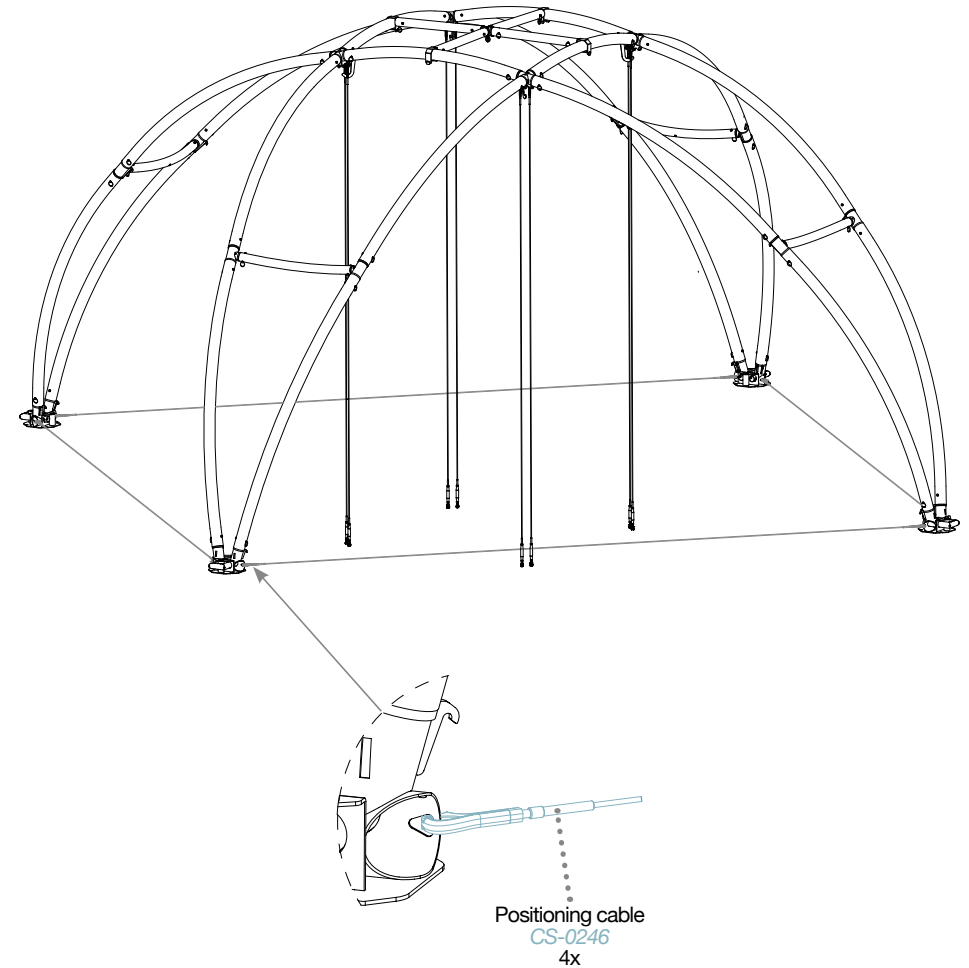


Hooks have to point to the inside of the structure



## STEP 10

Mount the positioning cables



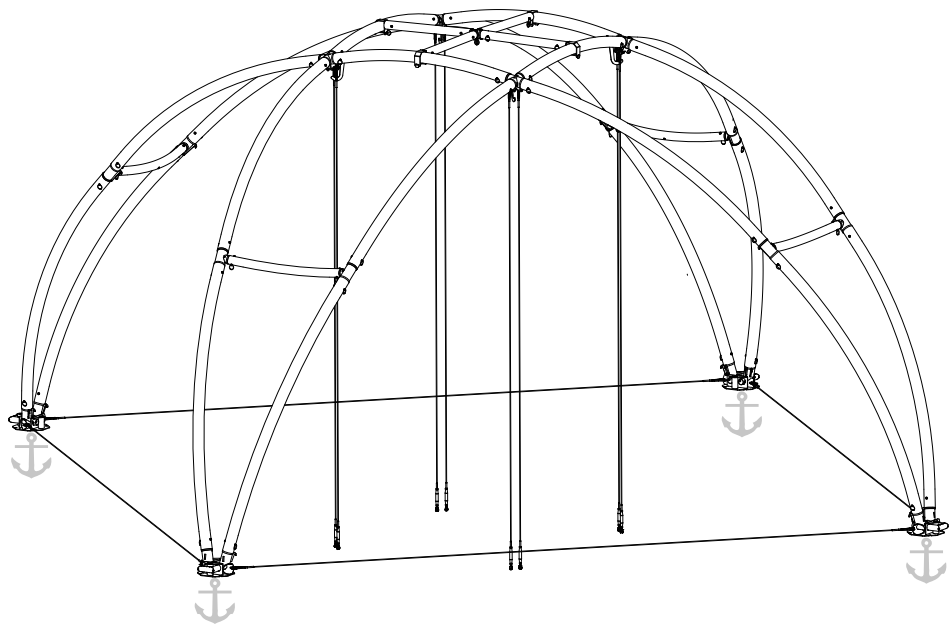
The positioning cables are used to secure an accurate distance between the feet.  
After mounting the positioning cables the structure can be placed on its feet.  
Pull the legs of the structure outwards to put the positioning cables under tension.



## STEP 11

Anchor the structure

! For the different anchoring options and instructions see the anchoring guide

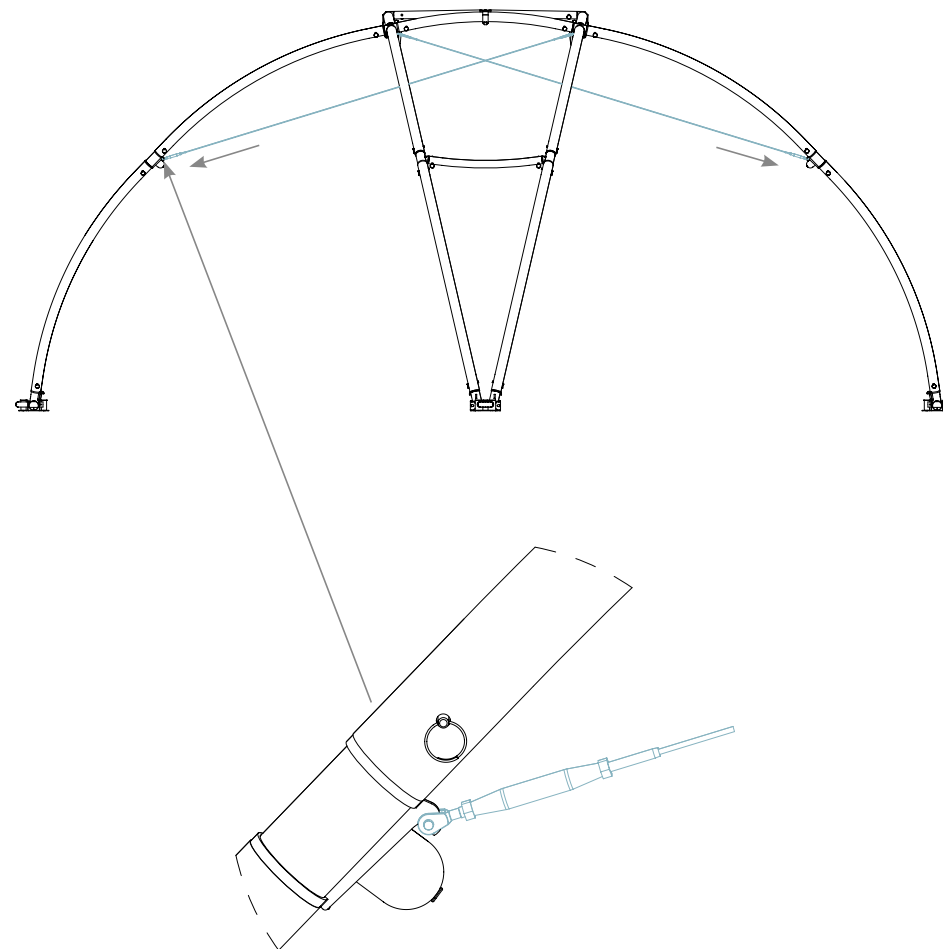


! After anchoring, the positioning cables can be removed. In stormy conditions the positioning cables have to be mounted to provide extra stability to the structure

## STEP 12

Mount the second end of the 8 tension cables and tension them

By tensioning the tension cables the structure gets its rigidity



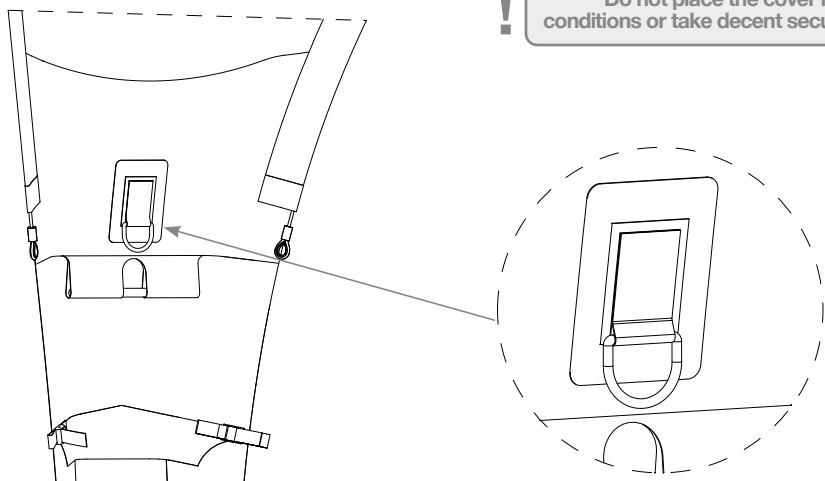
## STEP 13

### Place the cover over the structure

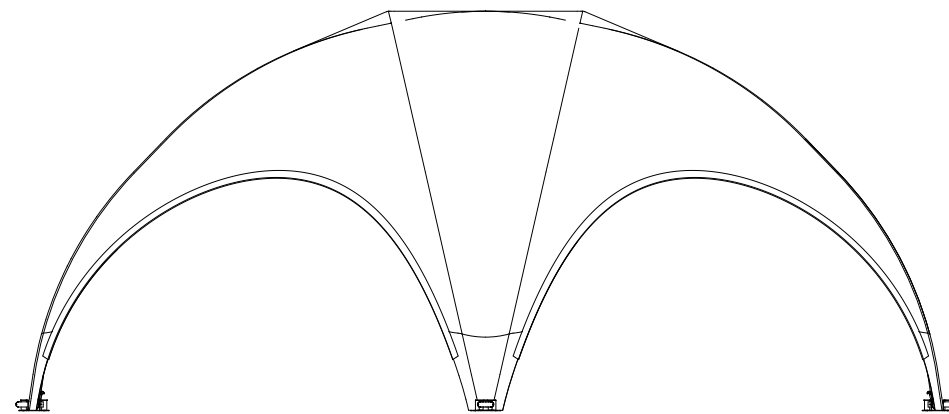
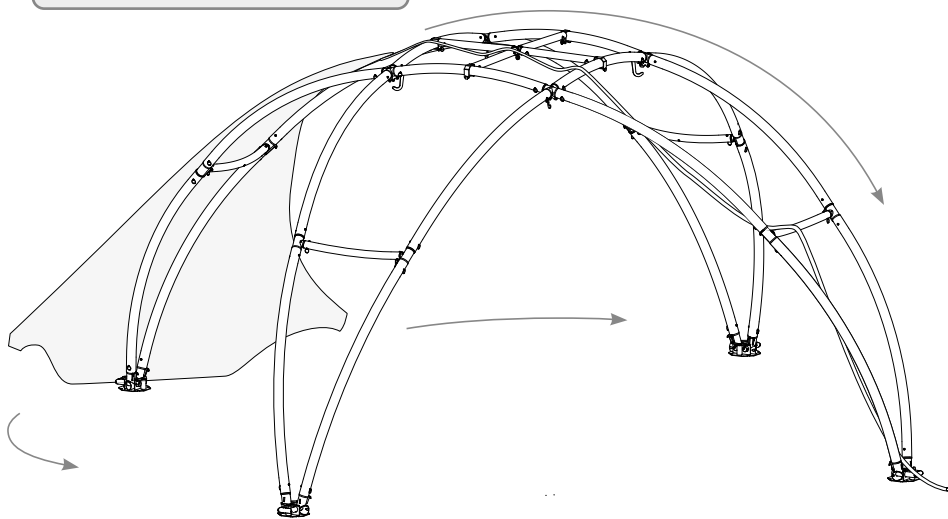
The included rope can be used to pull the cover over the structure.  
Tie the rope to the lifting eye.



Do not place the cover in windy conditions or take decent security measures

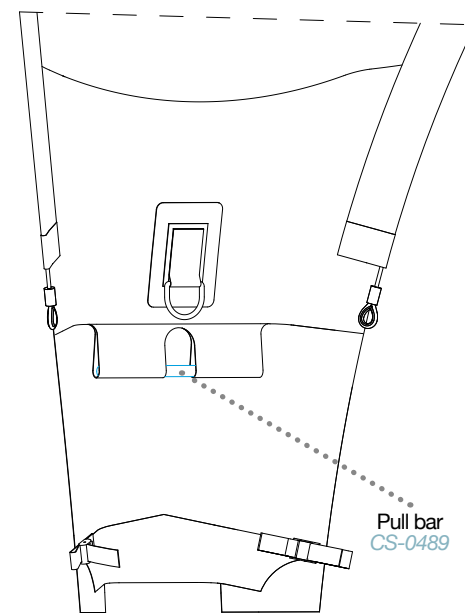


Guide the cover on both sides



## STEP 14

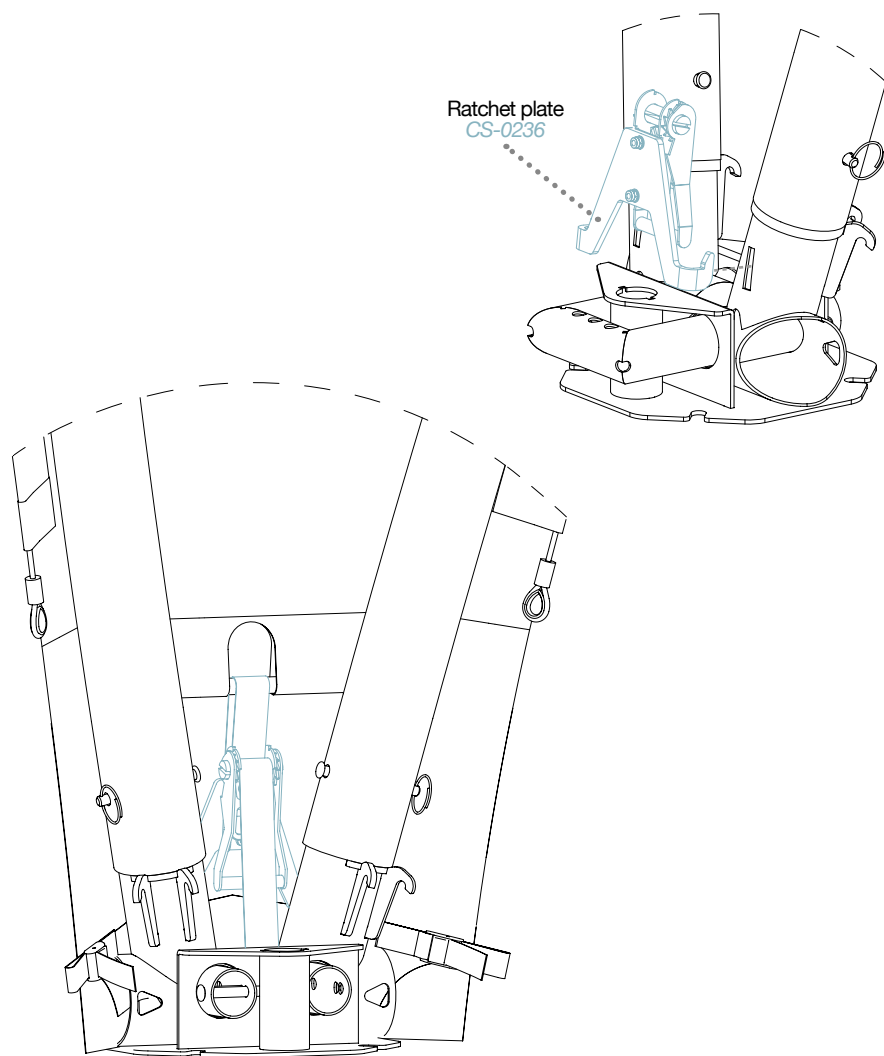
### Place the pull bars in the loops of the cover corners



## STEP 15

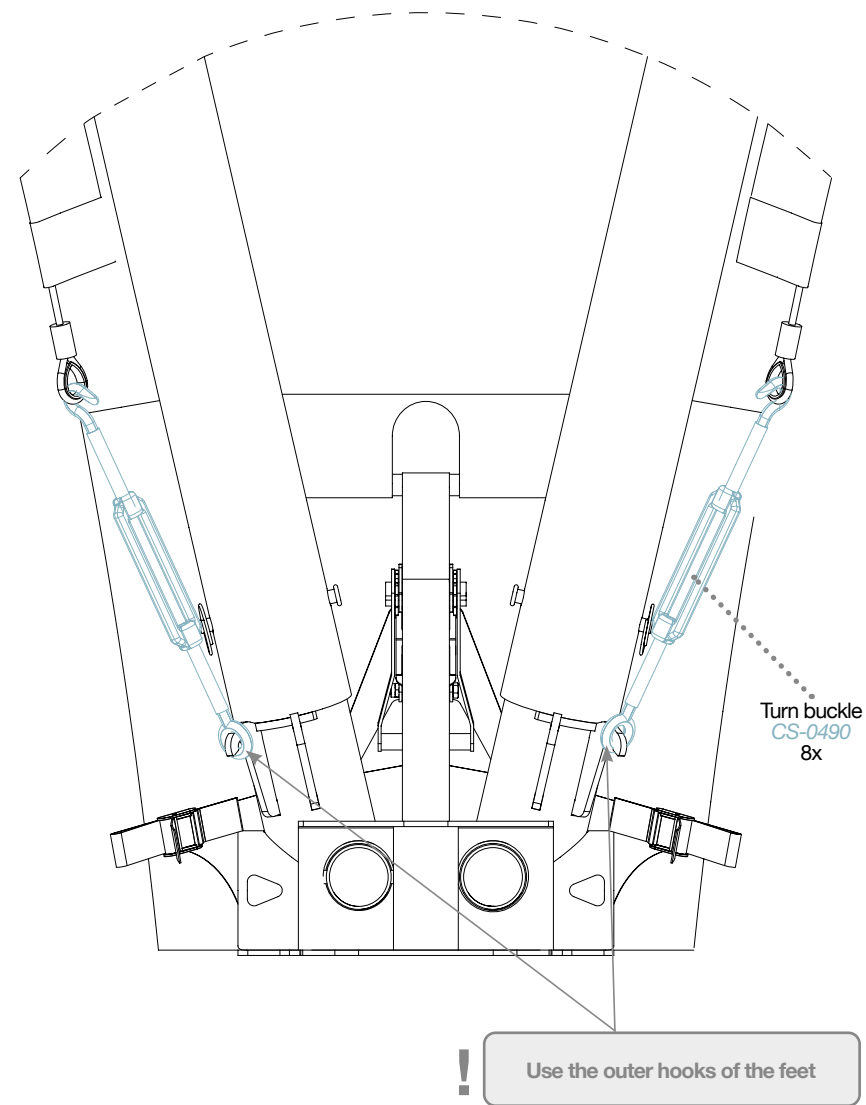
Tension the cover at the corners

Use the seams of the cover to align the cover with the structure



## STEP 16

Tension the contours of the cover with the turn buckles







Installation movie  
**Crossover M**

