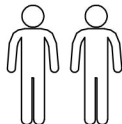
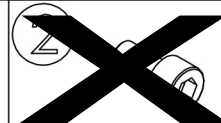


Luna A - Luna U

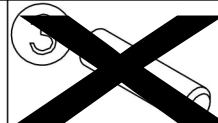
EN Assembling scheme



M6x16
M42C0255



M6x12
M42C0043



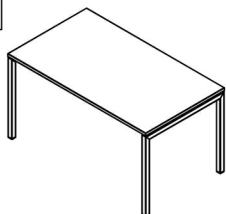
∅8x30
M42H0001



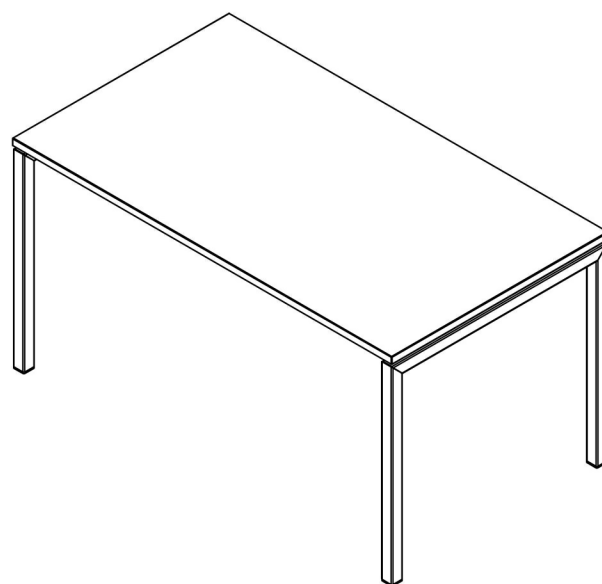
5x16



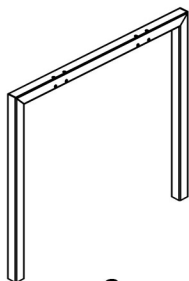
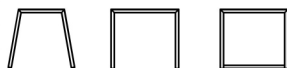
A



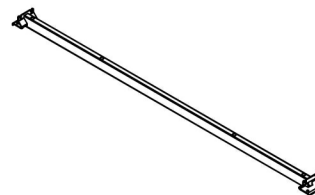
- a - x2 1 -x16
- b - x2 2 - x6 (Not for use)
- d - x1 3 - x2 (Not for use)
- 4 - x8



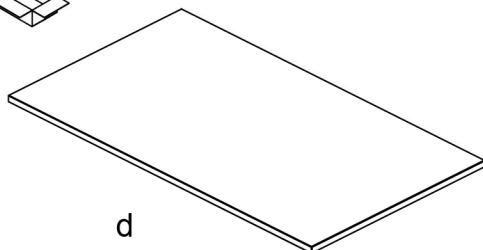
EN Leg type



a



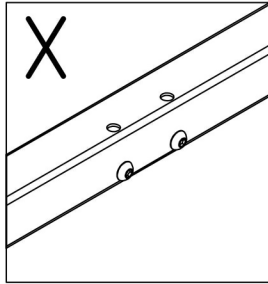
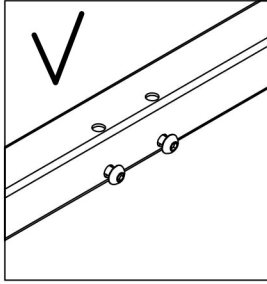
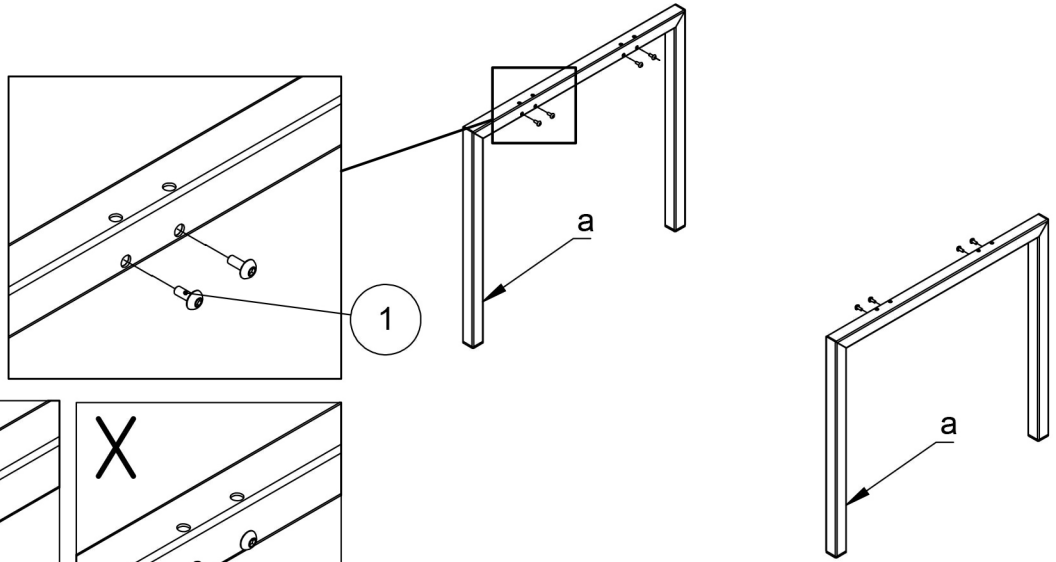
b



d

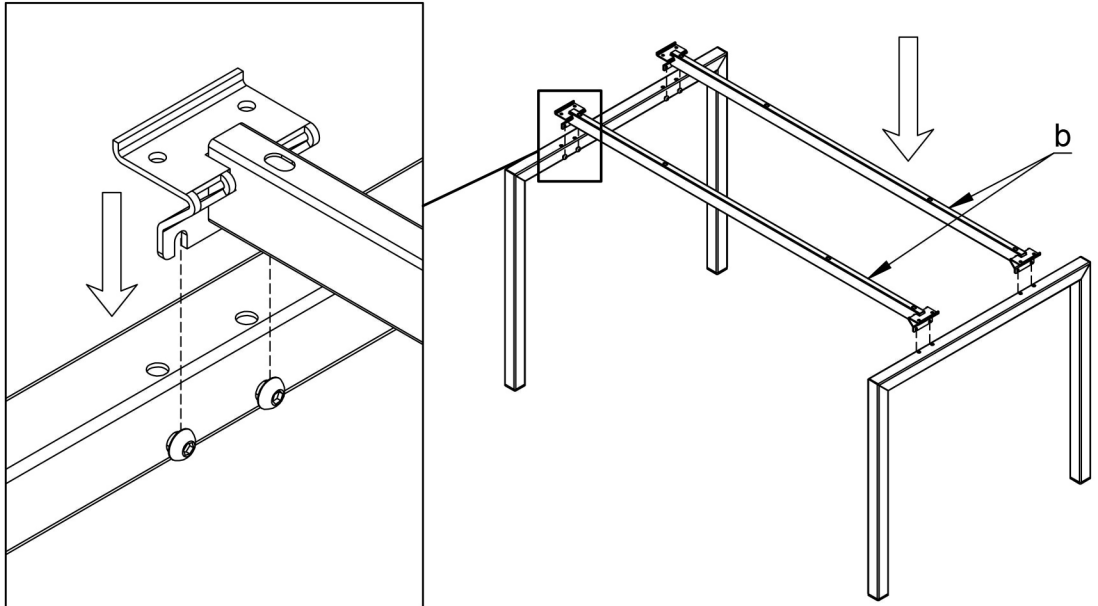
Luna A - Luna U

1 A



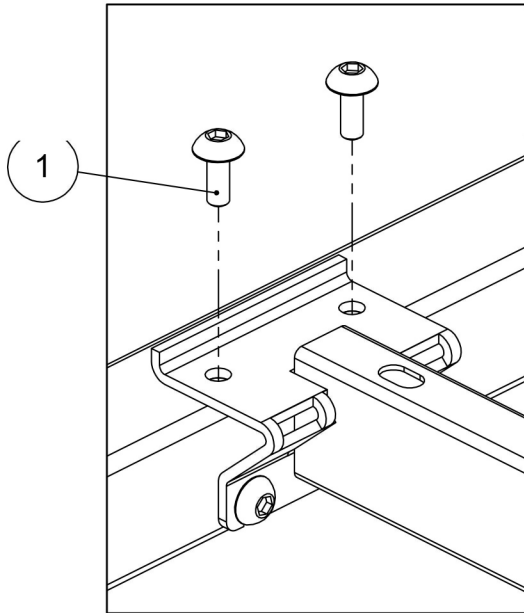
EN Do not tighten up (yet)

2 A



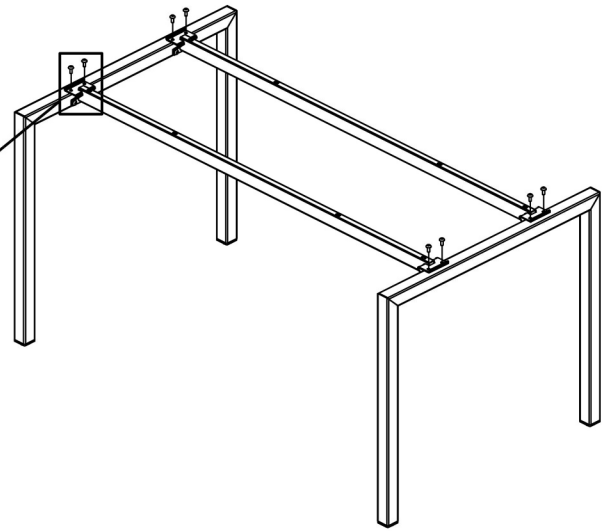
Luna A - Luna U

3 A



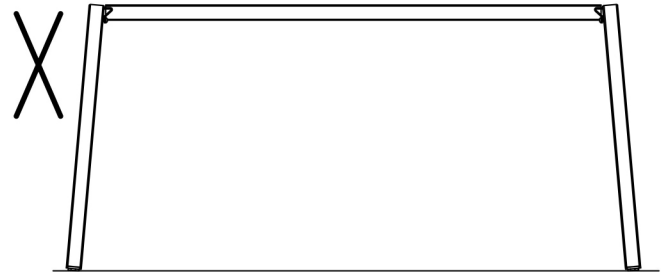
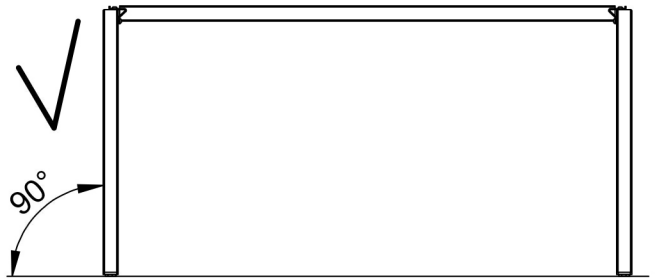
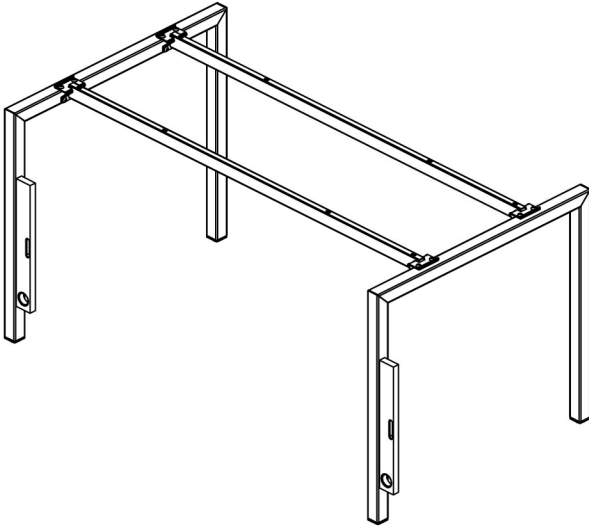
EN Do not tighten up (yet)

EN	Do not tighten up (yet)

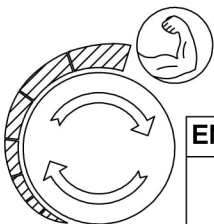


4 A

1)



2)



12 Nm

EN Tighten up

EN	Tighten up

